

# Combi Round Slimline Worktop Basin 1554 RH

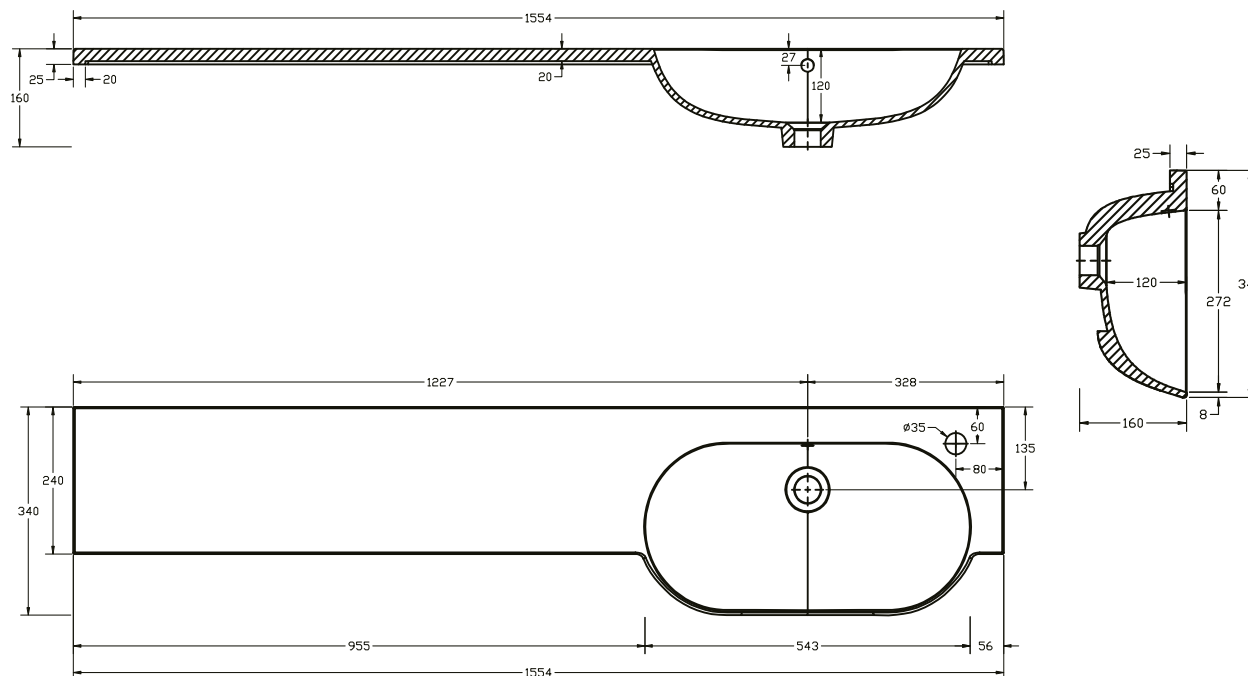
**SIZE(mm):** W 1554 x D 340 X H 160

**CODE:** MLCORDSLI5RHBA

**TAP HOLE(S):** Pre-Drilled Underneath for an offset taphole only

**MATERIAL:** Resin

**ORIENTATION:** Right Hand



**Please Note:**

1554mm Combi Round Worktop Basin is to be used exclusively with 600mm Fitted Furniture Basin Units, leaving adequate space for 600mm of Furniture (Storage or WC) and two end panels.

The information contained on this page was correct at date of issue. Fitting dimensions are provided as a guide only. Some variation may occur due to manufacturing tolerances. We pursue a policy of continuing improvement in design and performance of our products and so reserve the right to change specifications without prior notice.