

# Patton Slimline Semi Recessed 550 Basin

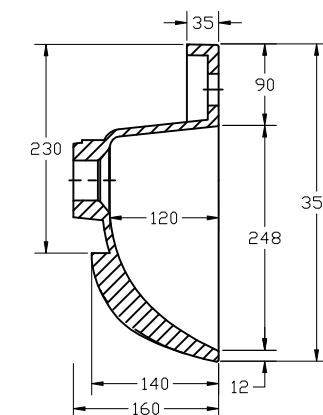
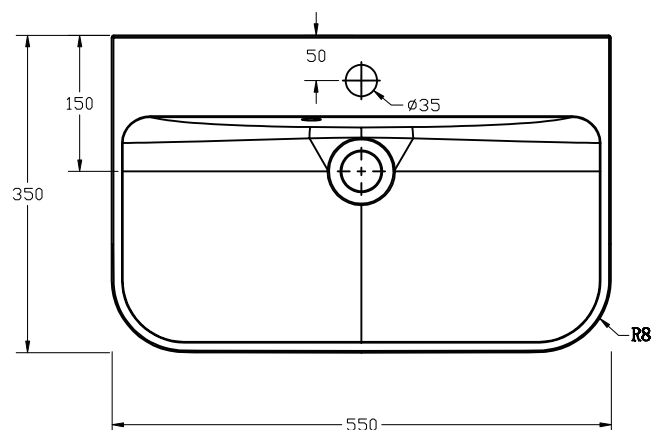
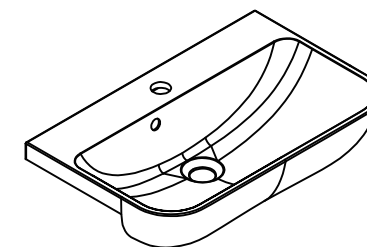
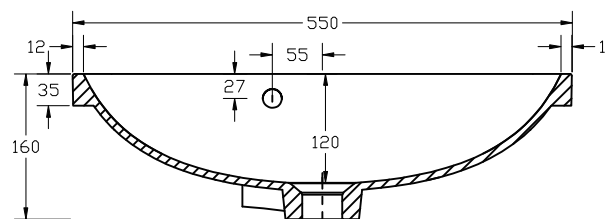
**SIZE(mm):** W 550 x D 350 X H 160

**CODE:** MLPASL55SRBA

**TAP HOLE(S):** One

**MATERIAL:** Resin

**TYPE:** Slimline



The information contained on this page was correct at date of issue. Fitting dimensions are provided as a guide only. Some variation may occur due to manufacturing tolerances. We pursue a policy of continuing improvement in design and performance of our products and so reserve the right to change specifications without prior notice.