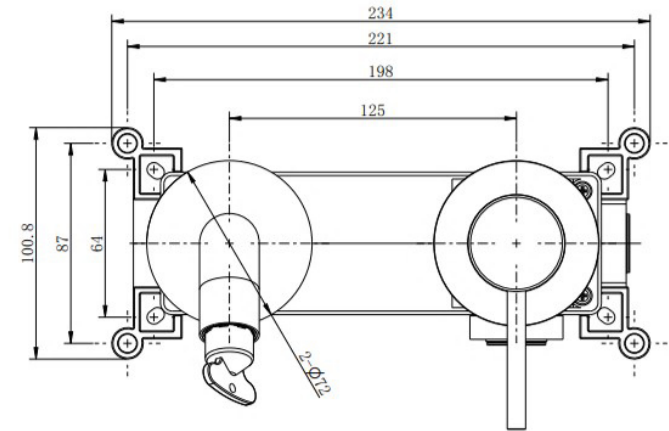
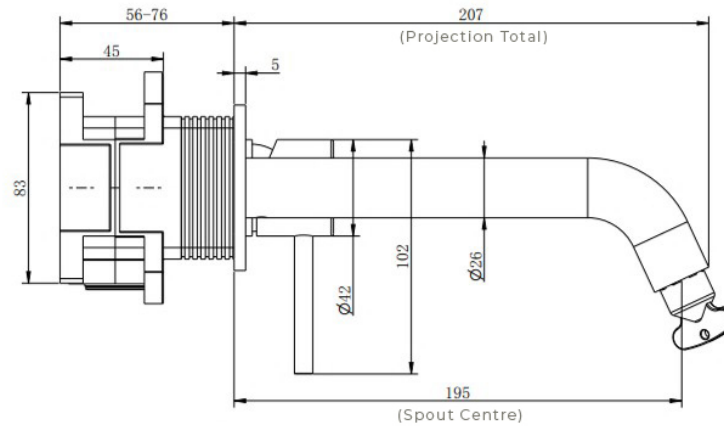


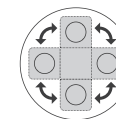
Ryver - Chrome Easy-Plumb Wall Mounted Basin Mono c/w Universal Waste

CONSTRUCTION	Brass Body
FINISHES	Chrome Plated
PRODUCT TYPE	Contemporary
WATER PRESSURE	Min. 0.5 Bar, Max. 6.0 Bar
PLUMBING SYSTEMS	Suitable for all plumbing systems, Hot and Cold water pressure preferably balanced. Max. supply pressure differential requirement no greater than 5:1
STANDARDS	Complies with BS 6920, BS EN 200
CERTIFICATION	Manufactured to Comply with WRAS (approval pending)
CARTRIDGE	Kerox Cartridge
AERATOR	Neoperl Aerator
FITTING	Easy-Plumb Box
FLEXI TAILS	Tucaí WRAS
WASTE	Universal Waste
MORE INFO	Interchangeable design for horizontal & vertical installation



Flow Rates (Litres per minute)

SYSTEM PRESSURE	0.1 Bar	0.2 Bar	0.3 Bar	0.5 Bar	1.0 Bar	1.5 Bar	2.0 Bar	3.0 Bar	4.0 Bar	5.0 Bar
	2.0	3.0	3.9	5.3	8.0	10.1	11.9	14.9	17.4	19.7



Interchangeable Design for Horizontal & Vertical Installation

The information contained on this page was correct at date of issue. Fitting dimensions are provided as a guide only. Some variation may occur due to manufacturing tolerances. We pursue a policy of continuing improvement in design and performance of our products and so reserve the right to change specifications without prior notice.