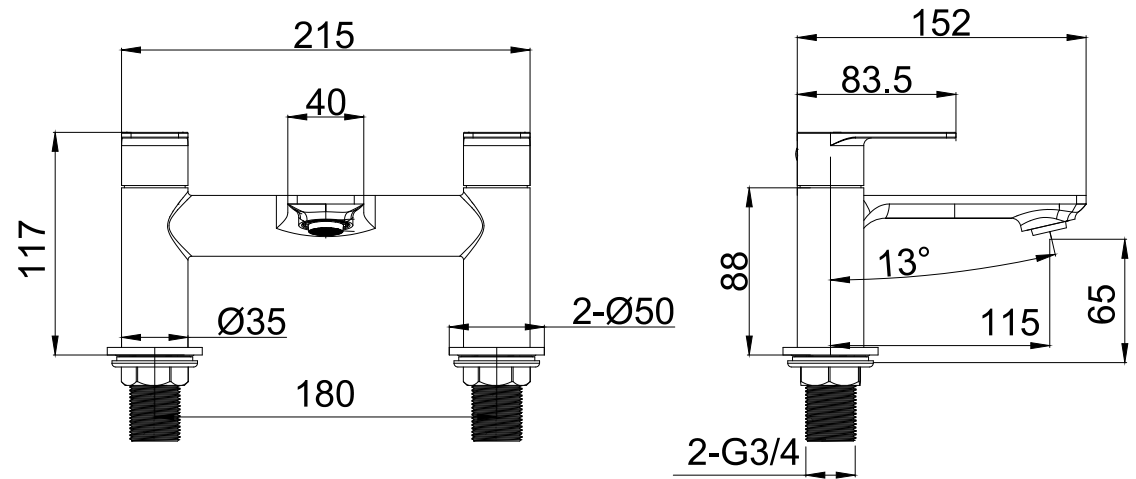


Kallan Bath Filler Black - MLTAKA4BL

CONSTRUCTION	Brass Body (CuZn40Pb2), EN CW617N (equivalent to BS CZ122)
FINISHES	Matt Black
PRODUCT TYPE	Contemporary
WATER PRESSURE	Min. 0.5bar, Max. 6.0bar
PLUMBING SYSTEMS	Suitable for all plumbing systems, max. supply pressure differential requirement no greater than 5.1
CARTRIDGE	1/4 Turn 3/4" Ceramic Disc Valves
FITTING	Brass G3/4" BSP Tails
STANDARDS	Complies with BS5412, BS EN200



Flow Rates (Litres per minute)

SYSTEM PRESSURE	0.1 Bar	0.2 Bar	0.3 Bar	0.5 Bar	1.0 Bar	1.5 Bar	2.0 Bar	3.0 Bar	4.0 Bar	5.0 Bar
Spout	13.5	-	-	24.9	34.2	-	47.6	57.9	-	-



The information contained on this page was correct at date of issue. Fitting dimensions are provided as a guide only. Some variation may occur due to manufacturing tolerances. We pursue a policy of continuing improvement in design and performance of our products and so reserve the right to change specifications without prior notice.