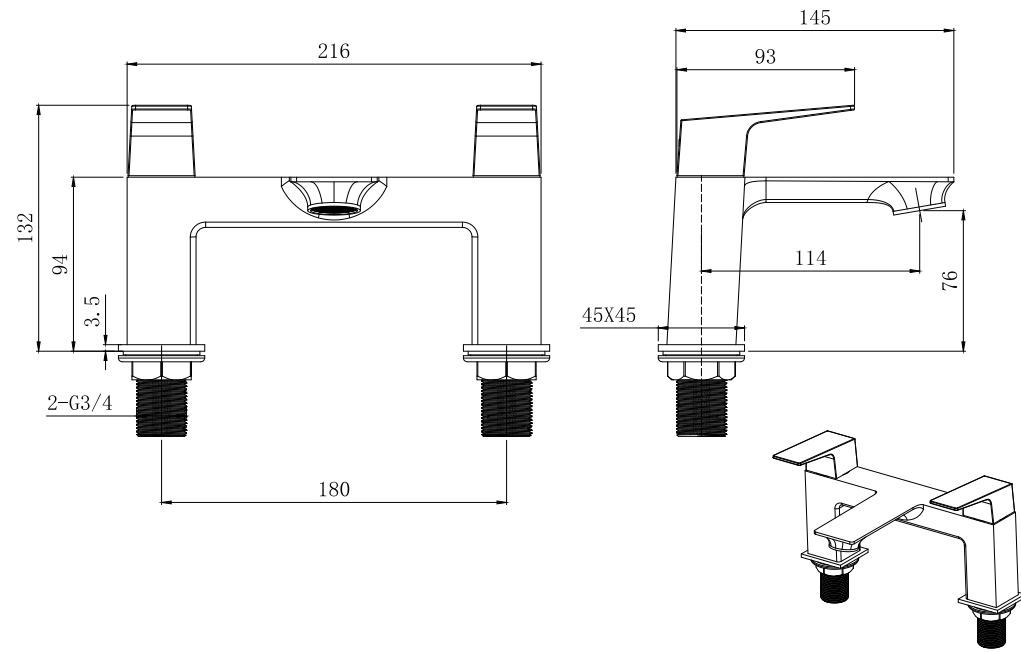


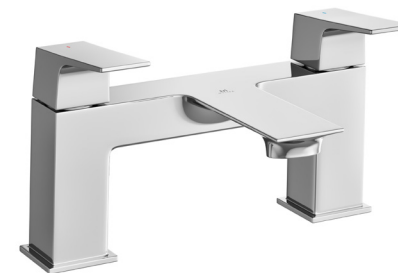
Dayla Bath Filler Chrome - MLTADY4CP

| | |
|-------------------------|------------------------------------------------------------------------------------------------------|
| CONSTRUCTION | Brass Body (CuZn40Pb2), EN CW617N (equivalent to BS CZ122) |
| FINISHES | Chrome plated to BS EN 248 |
| PRODUCT TYPE | Contemporary |
| WATER PRESSURE | Min. 0.5 bar, Max. 6.0 bar |
| PLUMBING SYSTEMS | Suitable for all plumbing systems, max. supply pressure differential requirement no greater than 5.1 |
| STANDARDS | Complies with BS5412 & BS EN200 |
| CARTRIDGE | 1/4 Turn 3/4" Ceramic Disc Valves |
| FITTING | Brass G3/4" BSP Tails |



Flow Rates (Litres per minute)

| SYSTEM PRESSURE | 0.1 Bar | 0.2 Bar | 0.3 Bar | 0.5 Bar | 1.0 Bar | 1.5 Bar | 2.0 Bar | 3.0 Bar | 4.0 Bar | 5.0 Bar |
|-----------------|---------|---------|---------|---------|---------|---------|---------|---------|---------|---------|
| Spout | 12.4 | - | - | 23.4 | 32.4 | - | 45.4 | 54.0 | - | - |



The information contained on this page was correct at date of issue. Fitting dimensions are provided as a guide only. Some variation may occur due to manufacturing tolerances. We pursue a policy of continuing improvement in design and performance of our products and so reserve the right to change specifications without prior notice.