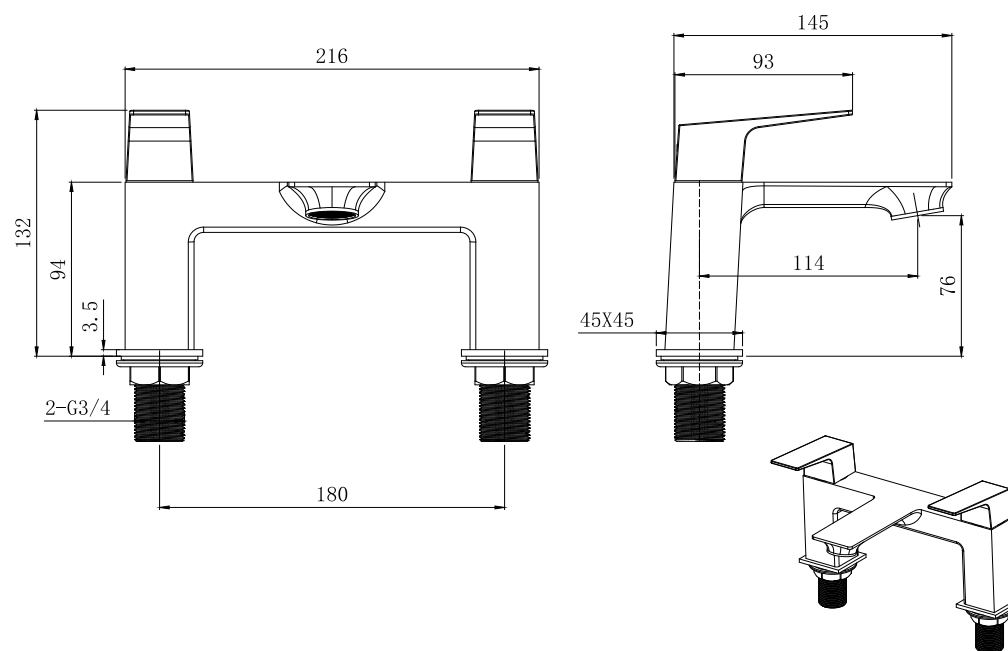


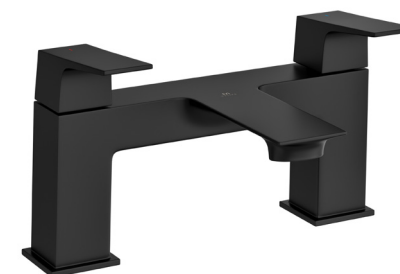
# Dayla Bath Filler Black - MLTADY4BL

<b>CONSTRUCTION</b>	Brass Body (CuZn40Pb2), EN CW617N (equivalent to BS CZ122)
<b>FINISHES</b>	Matt Black Electro Plated
<b>PRODUCT TYPE</b>	Contemporary
<b>WATER PRESSURE</b>	Min. 0.5 bar, Max. 6.0 bar
<b>PLUMBING SYSTEMS</b>	Suitable for all plumbing systems, max. supply pressure differential requirement no greater than 5.1
<b>STANDARDS</b>	Complies with BS5412 & BS EN200
<b>CARTRIDGE</b>	1/4 Turn 3/4" Ceramic Disc Valves
<b>FITTING</b>	Brass G3/4" BSP Tails



## Flow Rates (Litres per minute)

SYSTEM PRESSURE	0.1 Bar	0.2 Bar	0.3 Bar	0.5 Bar	1.0 Bar	1.5 Bar	2.0 Bar	3.0 Bar	4.0 Bar	5.0 Bar
Spout	12.4	-	-	23.4	32.4	-	45.4	54.0	-	-



The information contained on this page was correct at date of issue. Fitting dimensions are provided as a guide only. Some variation may occur due to manufacturing tolerances. We pursue a policy of continuing improvement in design and performance of our products and so reserve the right to change specifications without prior notice.