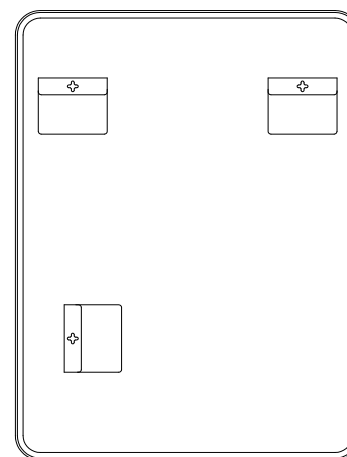
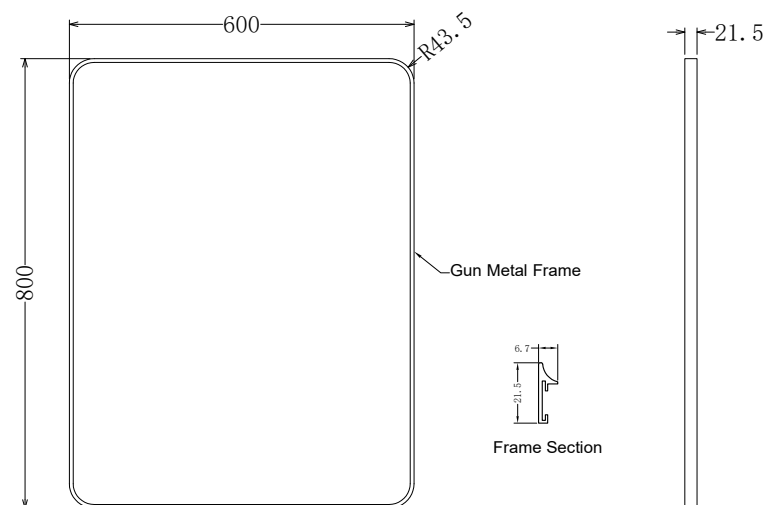


Quin 60 - Non Illuminated Gun Metal Frame Mirror

CODE: MLMIXQU60GM

SIZE: H 800 x W 600 x D 21.5mm

NET WEIGHT: 7.35 Kg



The information contained on this page was correct at date of issue. Fitting dimensions are provided as a guide only. Some variation may occur due to manufacturing tolerances. We pursue a policy of continuing improvement in design and performance of our products and so reserve the right to change specifications without prior notice.