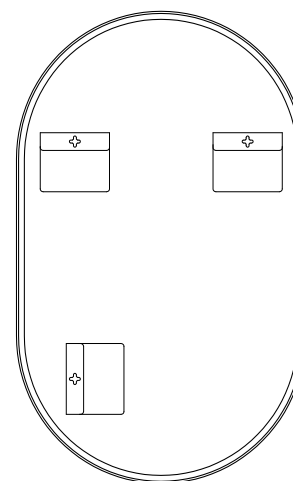
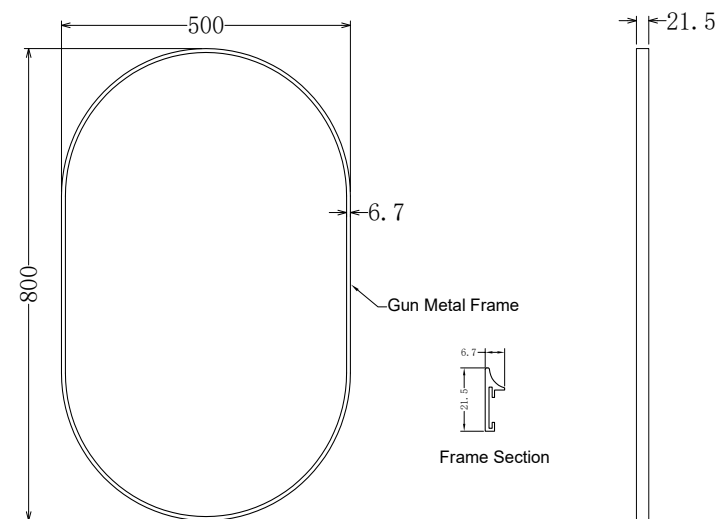


# Finn 50 - Non Illuminated Gun Metal Frame Mirror

**CODE:** MLMIXFI50GM

**SIZE:** H 800 x W 500 x D 21.5mm

**NET WEIGHT:** 7.6 Kg



The information contained on this page was correct at date of issue. Fitting dimensions are provided as a guide only. Some variation may occur due to manufacturing tolerances. We pursue a policy of continuing improvement in design and performance of our products and so reserve the right to change specifications without prior notice.