

Quin 50 - LED Gun Metal Frame Mirror

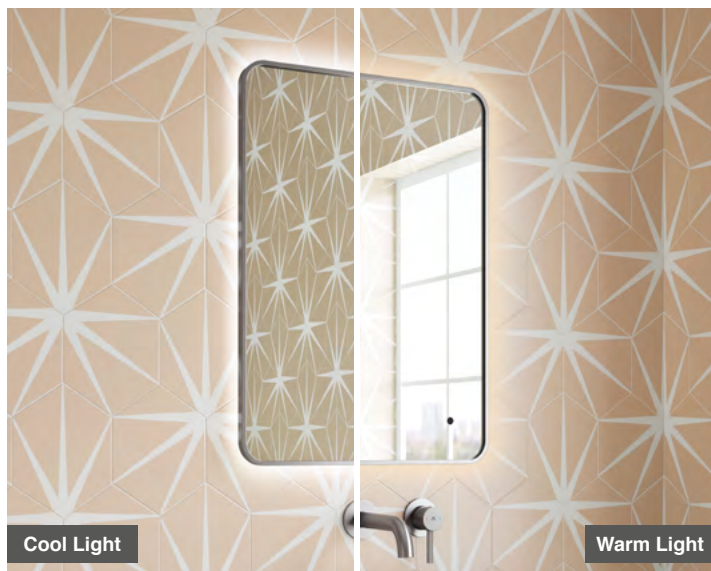
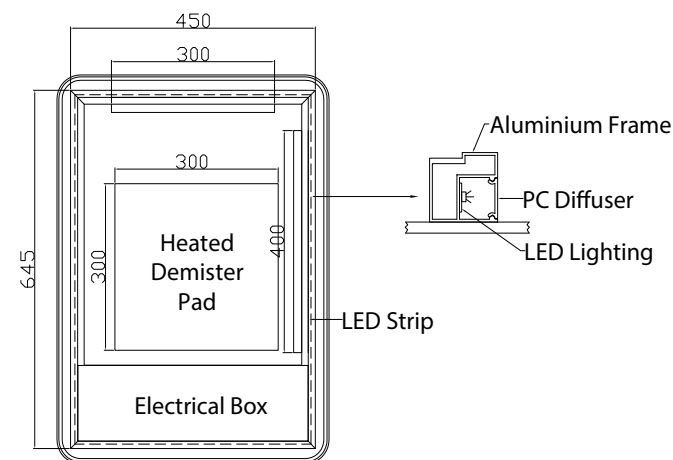
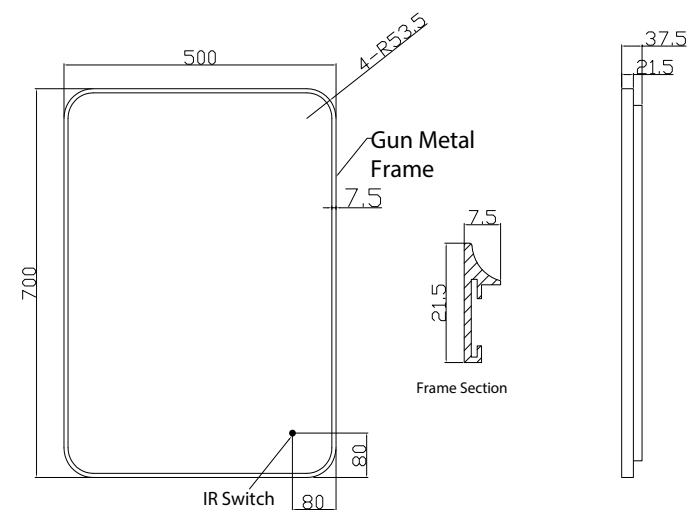
CODE: MLMIQUI50GM

SIZE: H 700 x W 500 x D 37.5mm

NET WEIGHT: 6 Kg

FEATURES:

- Gun Metal Framed LED Mirror
- Multi Functional Contactless Sensor Controls
Light from Cool - Warm Brightness with
Memory Function
- Landscape or Portrait
- Heated Demister Pad
- IP44



The information contained on this page was correct at date of issue. Fitting dimensions are provided as a guide only. Some variation may occur due to manufacturing tolerances. We pursue a policy of continuing improvement in design and performance of our products and so reserve the right to change specifications without prior notice.