

Quin 100 - LED Black Frame Mirror

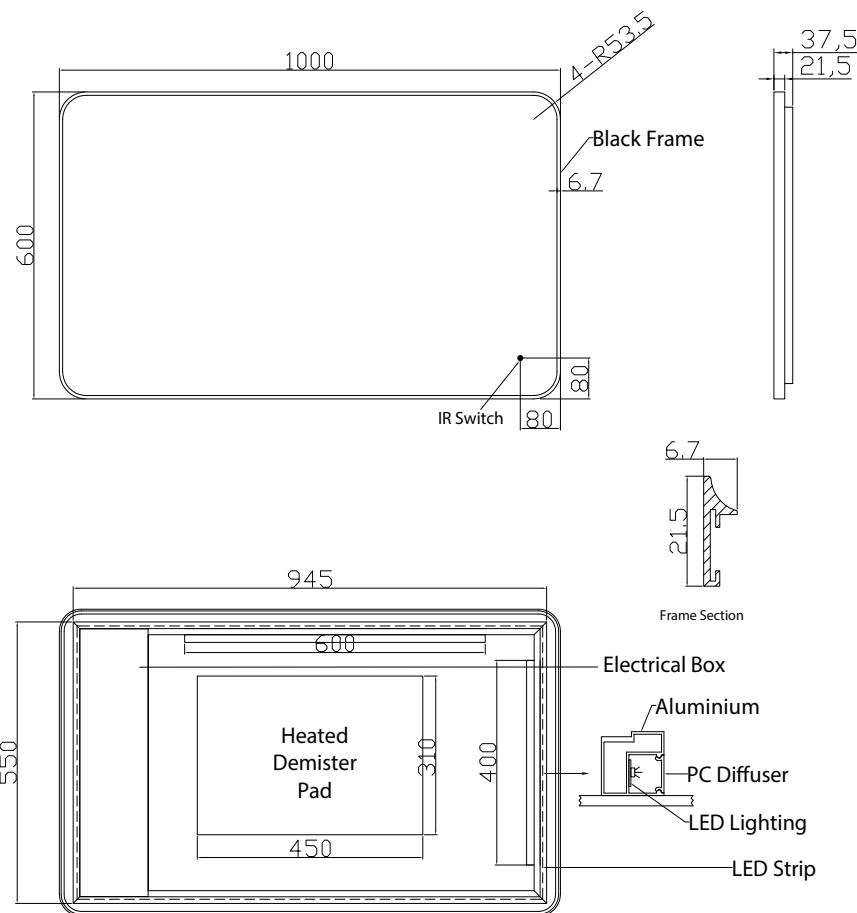
CODE: MLMIQUI100BL

SIZE: H 600 x W 1000 x D 37.5mm

NET WEIGHT: 9.25 Kg

FEATURES:

- Black Framed LED Mirror
- Multi Functional Contactless Sensor Controls
Light from Cool - Warm Brightness with
Memory Function
- Landscape or Portrait
- Heated Demister Pad
- IP44



The information contained on this page was correct at date of issue. Fitting dimensions are provided as a guide only. Some variation may occur due to manufacturing tolerances. We pursue a policy of continuing improvement in design and performance of our products and so reserve the right to change specifications without prior notice.