

# Keely 50 - LED Black Frame Mirror Cabinet

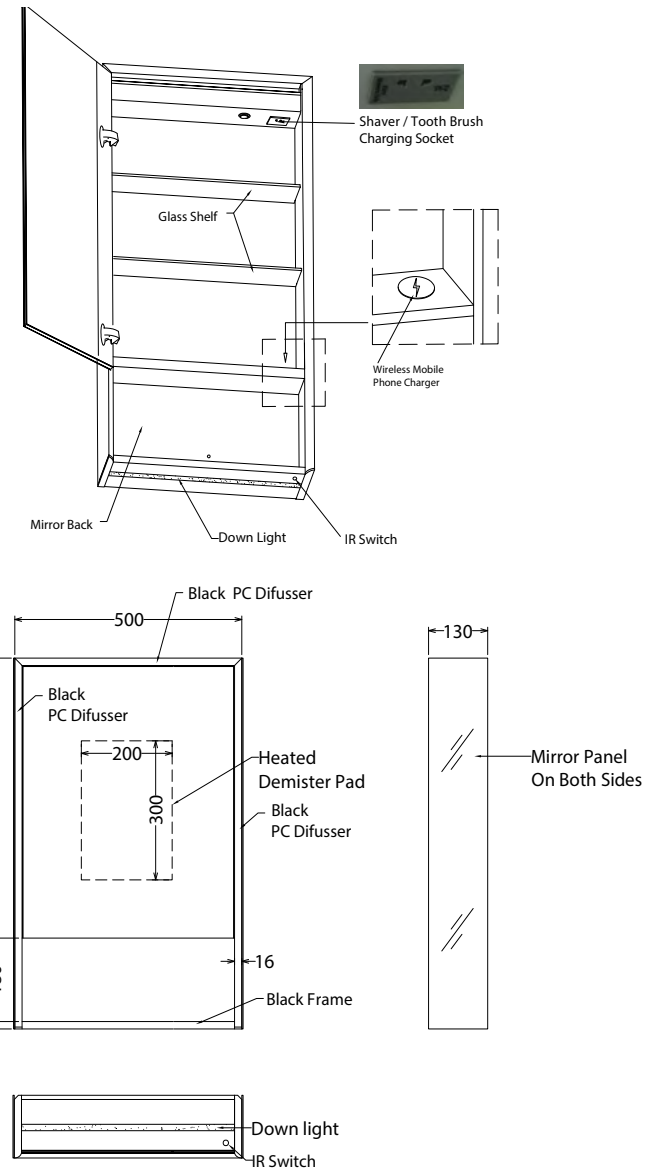
**CODE:** MLCAKEE50BL

**SIZE:** H 800 x W 500 x D 130mm

**NET WEIGHT:** 14.12 Kg

**FEATURES:**

- Black Framed LED Mirror Cabinet
- Multi Functional Contactless Sensor Controls  
Light from Cool - Warm Brightness with  
Memory Function
- Heated Demister Pad
- IP44



The information contained on this page was correct at date of issue. Fitting dimensions are provided as a guide only. Some variation may occur due to manufacturing tolerances. We pursue a policy of continuing improvement in design and performance of our products and so reserve the right to change specifications without prior notice.