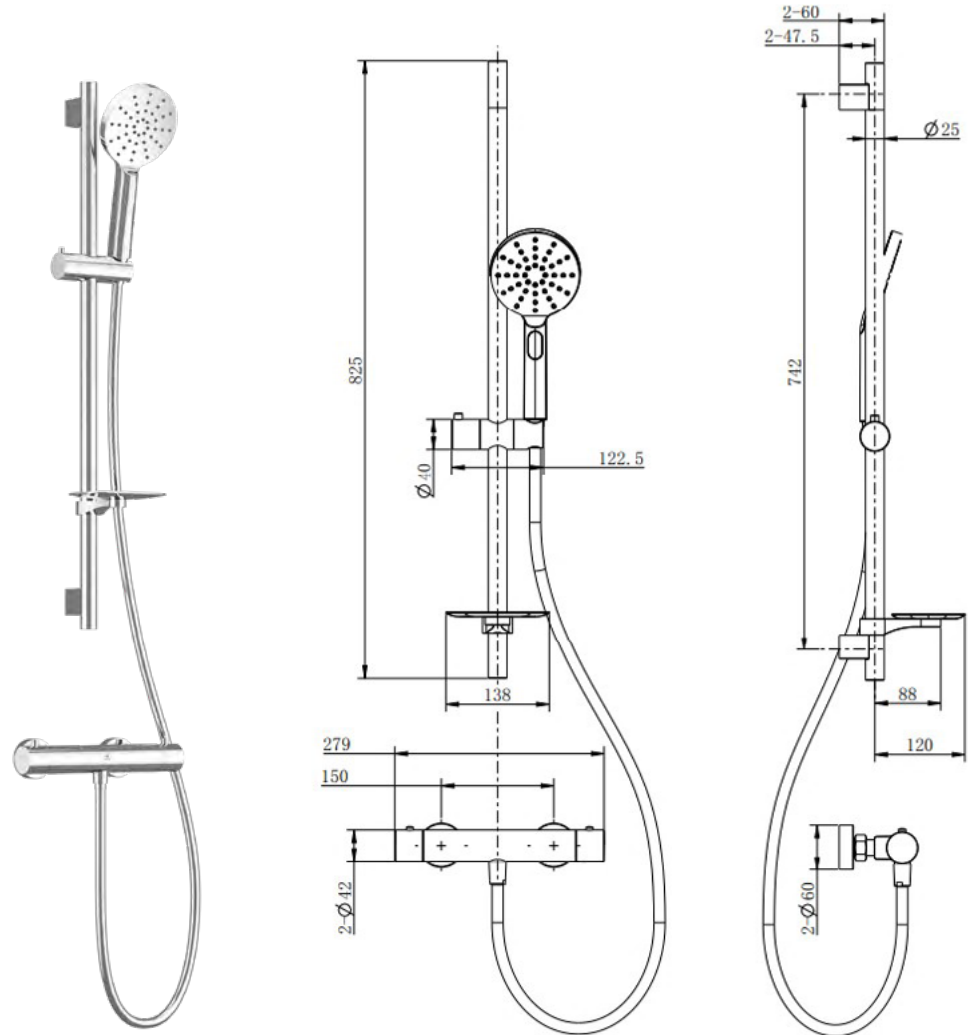


# Euri Exposed Thermostatic Shower

<b>CONSTRUCTION</b>	Valve: High Performance Polyamide (PPA) Body & Zinc-alloy Casing
<b>FINISHES</b>	Chrome Plated
<b>PRODUCT TYPE</b>	Contemporary
<b>WATER PRESSURE</b>	Min. 1.0 Bar, Max . 6.0 Bar
<b>PLUMBING SYSTEMS</b>	Suitable for all plumbing systems, preferably balanced. Min. supply pressure differential requirement is 5:1
<b>STANDARDS</b>	Complies with BSEN 1111
<b>CERTIFICATION</b>	WRAS & TMV2 Approved & Certified
<b>CARTRIDGE</b>	On/Off Cartridge - Wanhai Thermostatic Cartridge - Wanhai
<b>FITTING</b>	Easy Fit Kit
<b>ADDITIONAL INFO</b>	Temperature Pre-set 38°C, with push button to override to 48°C Automatic shut off in the event of hot or cold water supply failure COOL Touch Bar Valve Technology Includes soap dish Triple Function Push Button Handset 1.5m Premium Antibacterial PVC Hose

## Flow Rates (Litres per minute)

SYSTEM PRESSURE	0.1 Bar	0.2 Bar	0.3 Bar	0.5 Bar	1.0 Bar	1.5 Bar	2.0 Bar	3.0 Bar	4.0 Bar	5.0 Bar
	4.5	6.5	8.1	10.6	15.2	-	-	-	-	-



The information contained on this page was correct at date of issue. Fitting dimensions are provided as a guide only. Some variation may occur due to manufacturing tolerances. We pursue a policy of continuing improvement in design and performance of our products and so reserve the right to change specifications without prior notice.