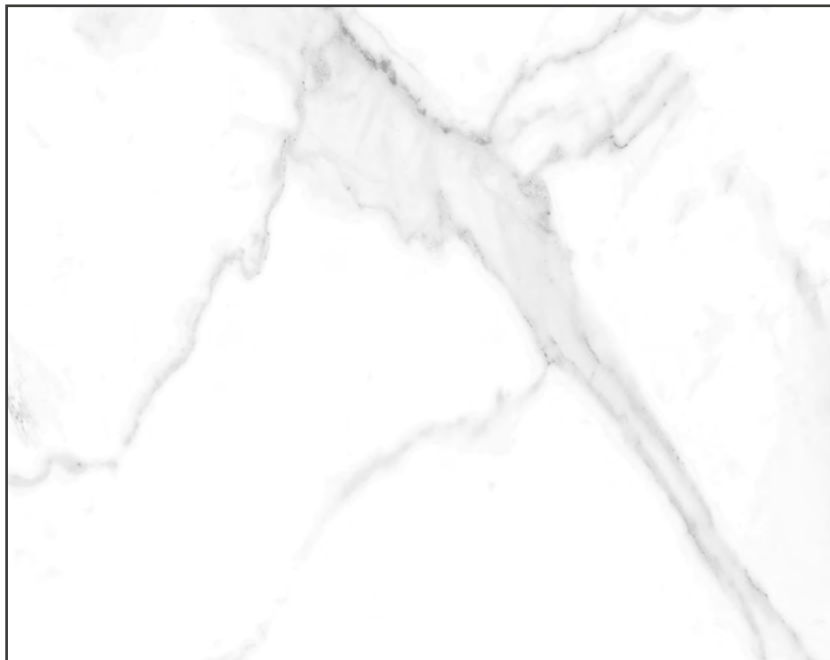
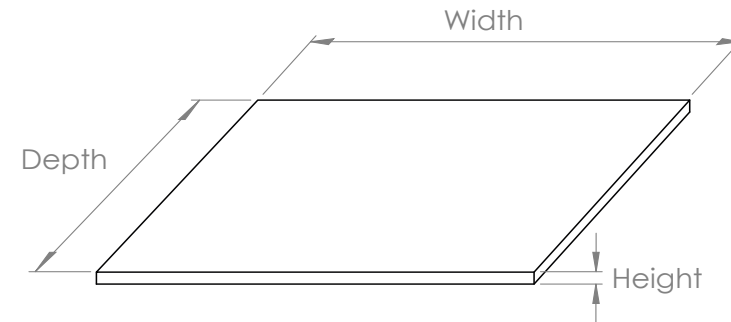


Carrara Marble Worktop

FINISH: Carrara Marble

ADDITIONAL INFORMATION: Suitable for Serra, Bonita, Axel, Madison, Hampton & Clayton



Code	Name	Width(mm)	Depth(mm)	Height(mm)
MLCARWT60	Carrara Marble Worktop W 600 x D 460mm	612	462	22
MLCARWT70	Carrara Marble Worktop W 700 x D 460mm	712	462	22
MLCARWT80	Carrara Marble Worktop W 800 x D 460mm	812	462	22
MLCARWT950	Carrara Marble Worktop W 950 x D 500mm	962	512	22
MLCARWT100	Carrara Marble Worktop W 1000 x D 460mm	1012	462	22
MLCARWT120	Carrara Marble Worktop W 1200 x D 460mm	1212	462	22

The information contained on this page was correct at date of issue. Fitting dimensions are provided as a guide only. Some variation may occur due to manufacturing tolerances. We pursue a policy of continuing improvement in design and performance of our products and so reserve the right to change specifications without prior notice.