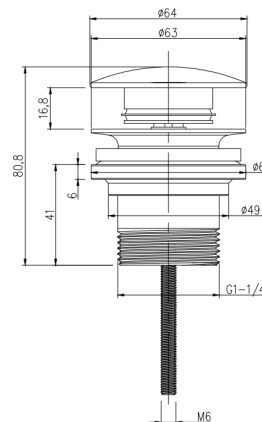
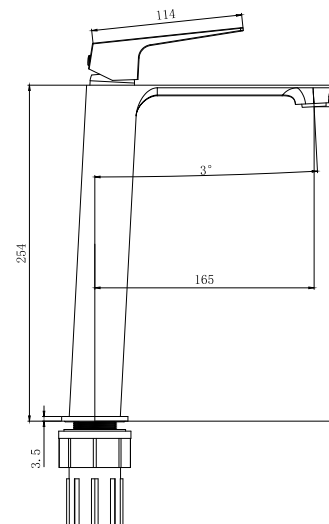
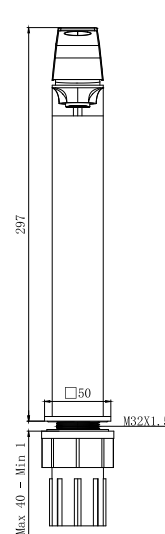


Dayla Gun Metal Tall Basin Mono c/w Universal Waste - MLTADY7GM

CONSTRUCTION	Brass Body
FINISHES	Gun Metal PVD Finish
PRODUCT TYPE	Contemporary
WATER PRESSURE	Min. 0.2 bar, Max. 6.0 bar
PLUMBING SYSTEMS	Suitable for all plumbing systems, max. supply pressure differential requirement no greater than 5.1
STANDARDS	Complies with BS6920 & BS EN200
CERTIFICATION	Manufactured to comply with WRAS
CARTRIDGE	Citec
AERATOR	Neoperl
FITTING	Tucaí WRAS Flexi
ADDITIONAL INFORMATION	Universal Basin Waste included



Flow Rates (Litres per minute)

SYSTEM PRESSURE	0.1 Bar	0.2 Bar	0.3 Bar	0.5 Bar	1.0 Bar	1.5 Bar	2.0 Bar	3.0 Bar	4.0 Bar	5.0 Bar
	2.0	3.0	-	4.0	5.9	-	7.9	9.6	11.2	12.3

The information contained on this page was correct at date of issue. Fitting dimensions are provided as a guide only. Some variation may occur due to manufacturing tolerances. We pursue a policy of continuing improvement in design and performance of our products and so reserve the right to change specifications without prior notice.