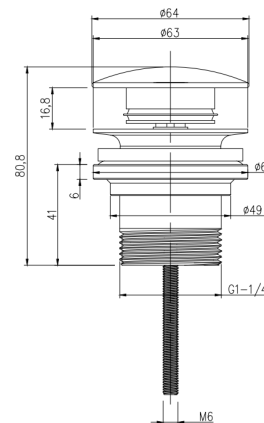
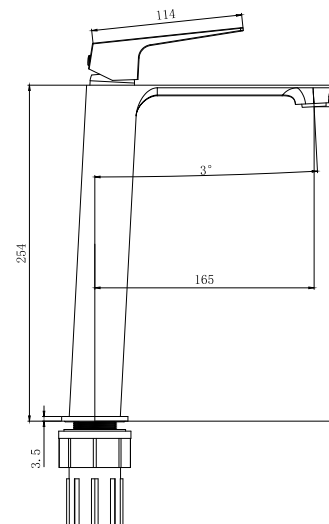
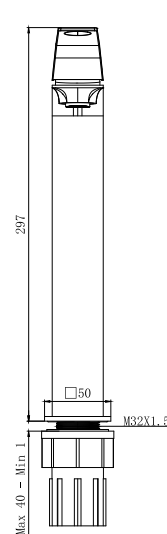


# Dayla Chrome Tall Basin Mono c/w Universal Waste - MLTADY7CP

<b>CONSTRUCTION</b>	Brass Body
<b>FINISHES</b>	Chrome Plated to BS EN 248
<b>PRODUCT TYPE</b>	Contemporary
<b>WATER PRESSURE</b>	Min. 0.2 bar, Max. 6.0 bar
<b>PLUMBING SYSTEMS</b>	Suitable for all plumbing systems, max. supply pressure differential requirement no greater than 5.1
<b>STANDARDS</b>	Complies with BS6920 & BS EN200
<b>CERTIFICATION</b>	Manufactured to comply with WRAS
<b>CARTRIDGE</b>	Citec
<b>AERATOR</b>	Neoperl
<b>FITTING</b>	Tucaí WRAS Flexi
<b>ADDITIONAL INFORMATION</b>	Universal Basin Waste included



## Flow Rates (Litres per minute)

SYSTEM PRESSURE	0.1 Bar	0.2 Bar	0.3 Bar	0.5 Bar	1.0 Bar	1.5 Bar	2.0 Bar	3.0 Bar	4.0 Bar	5.0 Bar
	2.0	3.0	-	4.0	5.9	-	7.9	9.6	11.2	12.3

The information contained on this page was correct at date of issue. Fitting dimensions are provided as a guide only. Some variation may occur due to manufacturing tolerances. We pursue a policy of continuing improvement in design and performance of our products and so reserve the right to change specifications without prior notice.