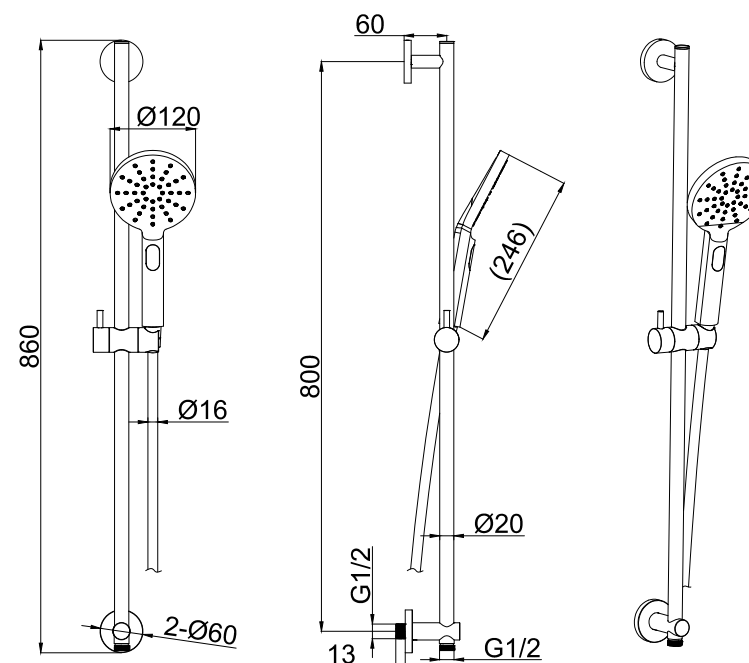


# Ryver - Sliding Railing Kit with Bottom Outlet

<b>PRODUCT CODES</b>	MLSHRYSRKCP - Chrome MLSHRYSRKBL - Matt Black MLSHRYSRKBB - Brushed Brass MLSHRYSRKGM - Gun Metal
<b>CONSTRUCTION</b>	Brass, Stainless Steel & ABS
<b>FINISHES</b>	Chrome Plated Matt Black Electro Plated Brushed Brass PVD Finish Gun Metal PVD Finish
<b>PRODUCT TYPE</b>	Contemporary
<b>WATER PRESSURE</b>	Min 0.2bar and Max 6.0bar
<b>PLUMBING SYSTEMS</b>	Suitable for all plumbing systems, preferably balanced. Min. supply pressure differential requirement is 5:1
<b>FITTING</b>	G1/2"
<b>ADDITIONAL INFO</b>	800mm Brass Rail Adjustable Brass & ABS Handset Holder Smooth Triple Function Push Button Handset 1.5m PVC Antibacterial Hose



Chrome



Matt Black



Brushed Brass



Gun Metal

The information contained on this page was correct at date of issue. Fitting dimensions are provided as a guide only. Some variation may occur due to manufacturing tolerances. We pursue a policy of continuing improvement in design and performance of our products and so reserve the right to change specifications without prior notice.