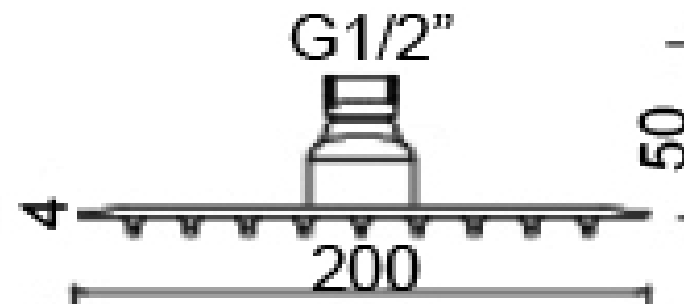


Flo Square 200mm Stainless Steel Shower Head

PRODUCT CODE	MLSHFLSQSH
CONSTRUCTION	Stainless Steel
PRODUCT TYPE	Contemporary
WATER PRESSURE	Min 0.2bar and Max 5.0bar
PLUMBING SYSTEMS	Suitable for all plumbing systems, preferably balanced. Min. supply pressure differential requirement is 5:1
FITTING	G1/2"
WEIGHT	0.45kg



Flow Rates (Litres per minute)

SYSTEM PRESSURE	0.1 Bar	0.2 Bar	0.3 Bar	0.5 Bar	1.0 Bar	1.5 Bar	2.0 Bar	3.0 Bar	4.0 Bar	5.0 Bar
	6.1	14.9	-	21.3	26.3	-	-	-	-	-

The information contained on this page was correct at date of issue. Fitting dimensions are provided as a guide only. Some variation may occur due to manufacturing tolerances. We pursue a policy of continuing improvement in design and performance of our products and so reserve the right to change specifications without prior notice.