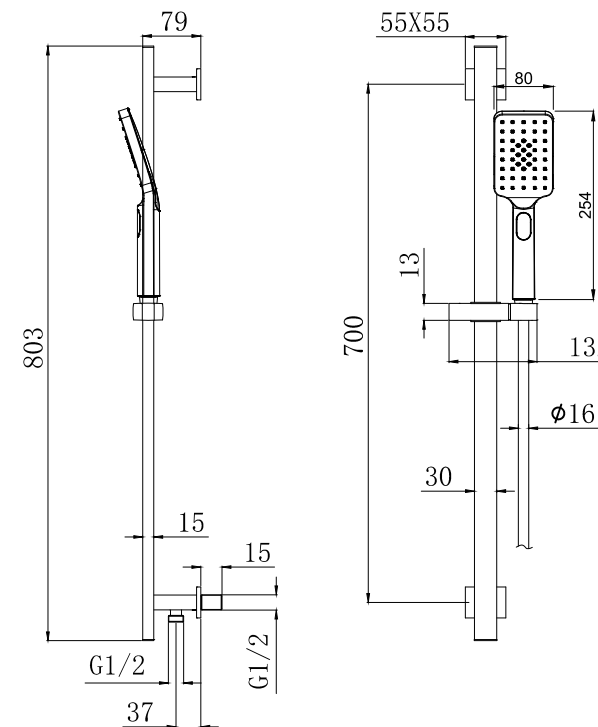


Dayla Sliding Rail Kit with Bottom Outlet - Gun Metal

| | |
|-------------------------------|--|
| PRODUCT CODE | MLSHDASRKGM |
| CONSTRUCTION | Brass Body (CuZn38Pb18) |
| FINISHES | Gun Metal PVD |
| PRODUCT TYPE | Contemporary |
| WATER PRESSURE | Min 0.2bar and Max 6.0bar |
| PLUMBING SYSTEMS | Suitable for all plumbing systems, preferably balanced. Min. supply pressure differential requirement is 5:1 |
| FITTING | G1/2" |
| ADDITIONAL INFORMATION | Premium Antibacterial 1.5m PVC Hose Triple Function Handset Brass Handset Holder |



The information contained on this page was correct at date of issue. Fitting dimensions are provided as a guide only. Some variation may occur due to manufacturing tolerances. We pursue a policy of continuing improvement in design and performance of our products and so reserve the right to change specifications without prior notice.