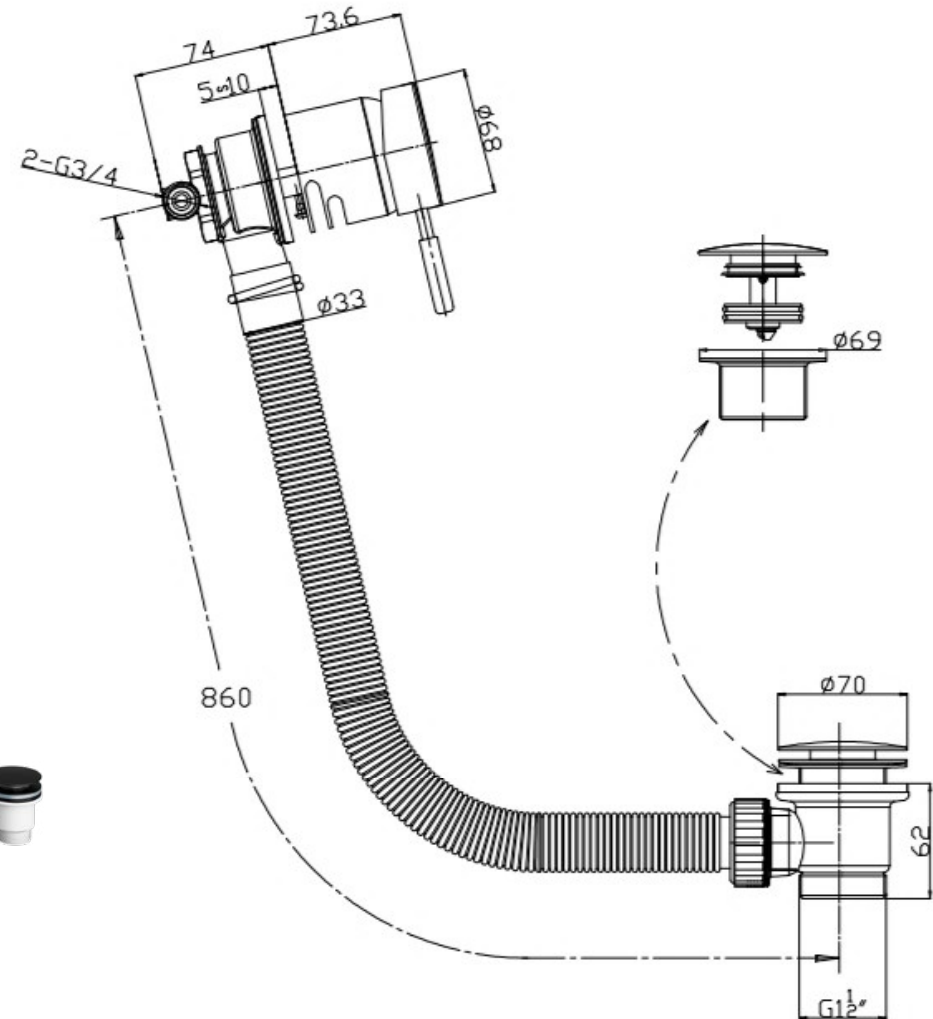


Black Bath Filler with Control Valve, Sprung Waste & Overflow

CONSTRUCTION	Brass, Polypropylene, ABS, Zinc Alloy Handle
FINISHES	Matt Black Electro Plated
PRODUCT TYPE	Contemporary
WATER PRESSURE	Min. 1.0 Bar, Max. 5.0 Bar
PLUMBING SYSTEMS	Suitable for all plumbing systems
FITTING	Inlet: G3/4" BSP, Waste: G1-1/2" BSP
ADDITIONAL INFO	Centre to centre length 860mm



Flow Rates (Litres per minute)

SYSTEM PRESSURE	0.1 Bar	0.2 Bar	0.3 Bar	0.5 Bar	1.0 Bar	1.5 Bar	2.0 Bar	3.0 Bar	4.0 Bar	5.0 Bar
	-	3.2	-	7.0	12.00	15.0	17.7	21.30	25.0	28.0

The information contained on this page was correct at date of issue. Fitting dimensions are provided as a guide only. Some variation may occur due to manufacturing tolerances. We pursue a policy of continuing improvement in design and performance of our products and so reserve the right to change specifications without prior notice.

Bath Filler with Control Valve Installation & Operational Instructions

I. Installation Notice.

1. Floor drain should be installed in the location of the tap.
2. Flush pipes to get rid of any debris blocked in pipes before installation.
3. After installation, turn all the joints to make sure they are firmly connected. Then turn water on and off repeatedly to ensure there are no leaks around the joints then the product can be used normally at this stage.

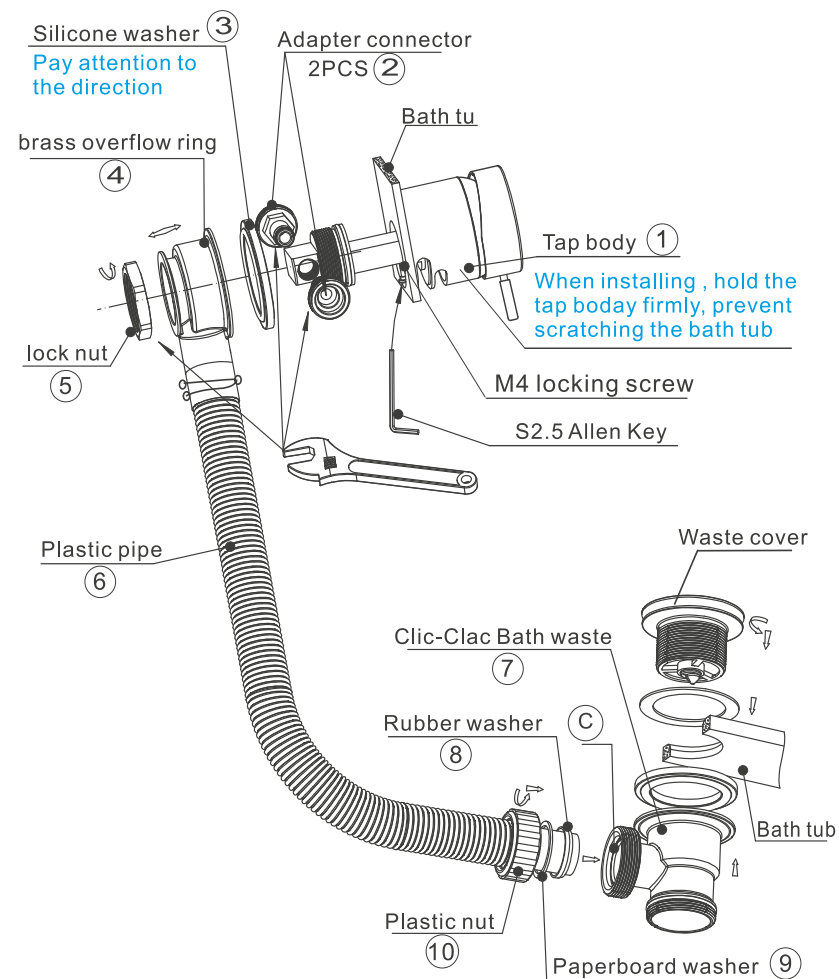
II. Operation Notice.

1. The product is used between water pressure 0.5 to 4bar, water temperature 0-90°C.
2. **This bath filler waste is suitable to be installed in a bath tub with thickness of 5-10mm (as Figure I).**
3. Regularly clean the tap with soft damp cloth.
4. Read all the instructions completely before proceeding.

III. Installing steps(Figure II).

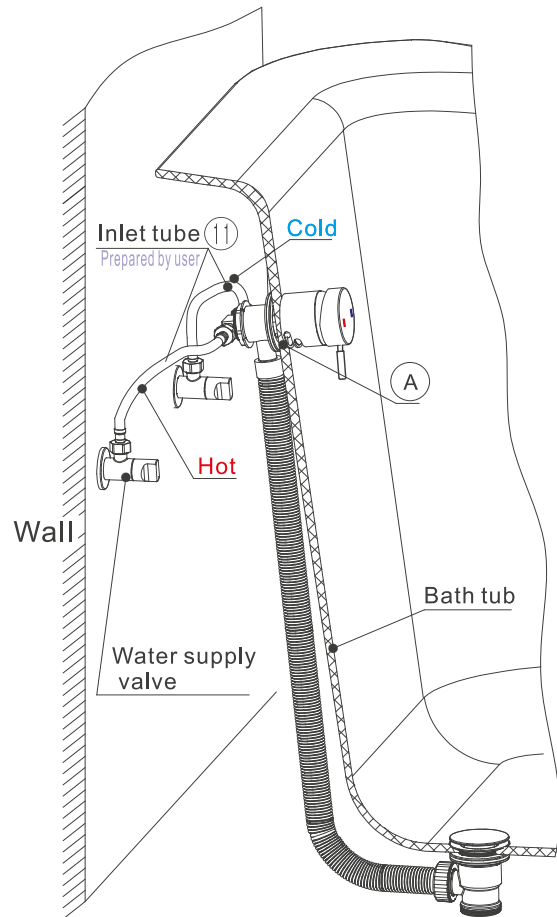
1. Screw out the both sides of adapter connector 2.
2. Screw out the lock nut 5, pull 4, 3 out in order.
3. Tap body 1 should be plugged in bath tub overflow hole A (Pay attention to use S2.5 Allen Key to tighten the M4 screw).
4. Put washer 3 and overflow ring 4 into Tap body 1 in order, then screw in 5 closely by wrench (Pay attention to adjust the direction and the location of the overflow of Tap body 1).
5. Clic-Clac Bath Waste 7 to be installed to bath tub.
6. Put 10, 9, 8 into plastic pipe 6 in order, and connect it to Bath waste 7 (inlet C). At last, use the part 10 plastic nut to lock part 7 bath waste.
7. Screw two adapter connectors 2 in tap body 1, and connect to inlet tube 11 (as Figure III, Pay attention to the direction of the cold and heat water inlet).
8. Turn on water supply value and handle to check all the joints to make sure there is no leakage and the product can work normally.

● Figure II

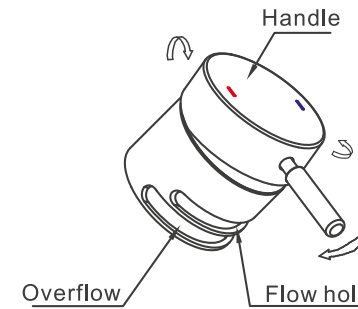


The information contained on this page was correct at date of issue. Fitting dimensions are provided as a guide only. Some variation may occur due to manufacturing tolerances. We pursue a policy of continuing improvement in design and performance of our products and so reserve the right to change specifications without prior notice.

● Figure III



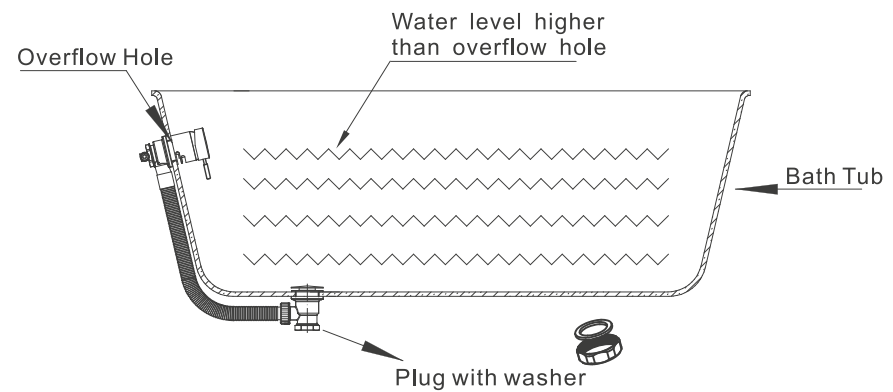
● Figure IV



IV. Operating Instruction (Figure IV).

1. Adjust the flow rate and the water temperature: move the handle by hand, adjusting the angle of valve plug opening can adjust the flow rate of the bath tub and the water temperature.

Note: Once assembled, fill the bath with water, check for leaks.



The information contained on this page was correct at date of issue. Fitting dimensions are provided as a guide only. Some variation may occur due to manufacturing tolerances. We pursue a policy of continuing improvement in design and performance of our products and so reserve the right to change specifications without prior notice.