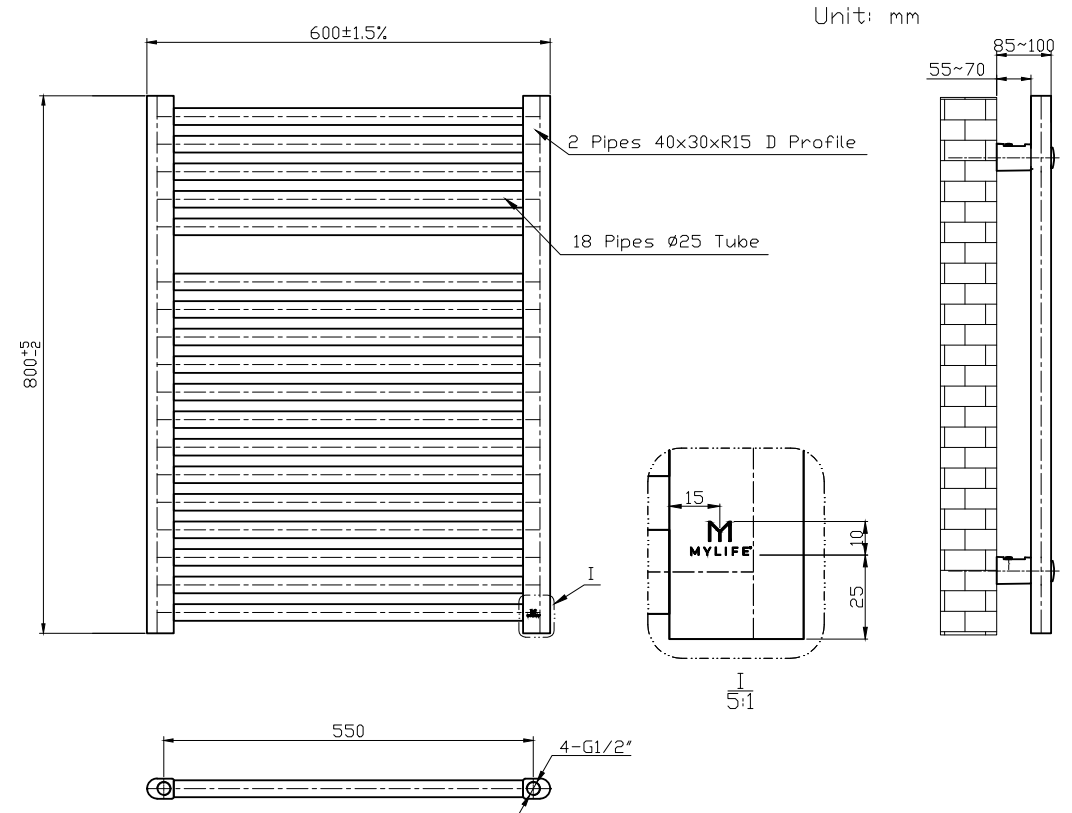


Straight 25mm Bars

| Code | Size mm | Pipe Centres | Cross Bars | BTU Δ 50°C | BTU Δ 60°C |
|-------------|---------------|--------------|------------|-------------------|-------------------|
| MLV18X6STCP | H 800 x W 600 | 550 | 18 | 1297 | 1630 |



Please note due to manufacturing tolerances pipe centres may vary by +/- 10mm, we recommend that pipe work is not altered until your towel rail / radiator is on site. The information contained on this page was correct at date of issue. Fitting dimensions are provided as a guide only. We pursue a policy of continuing improvement in design and performance of our products and so reserve the right to change specifications without prior notice.