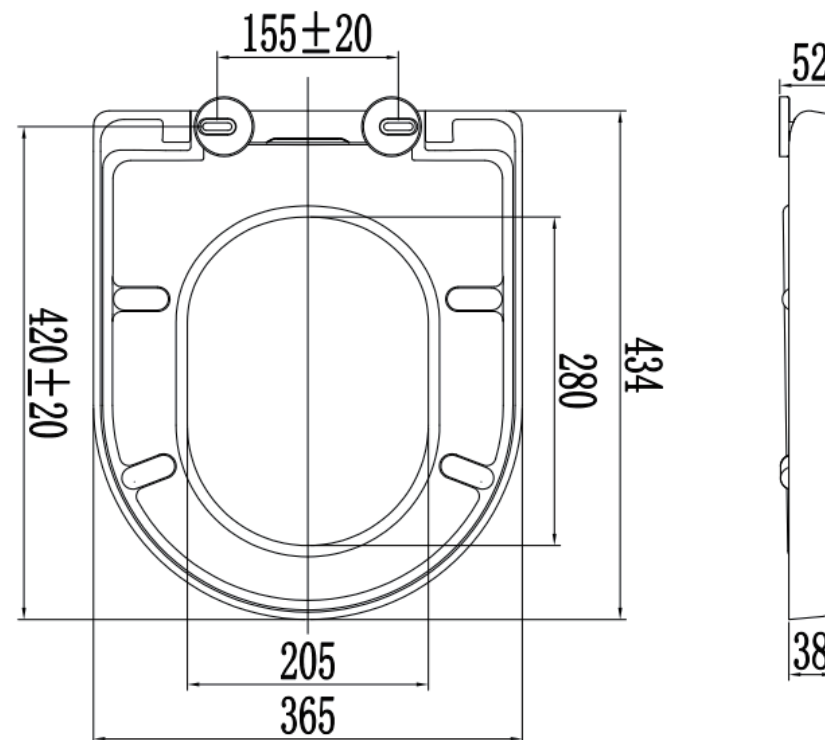


# DS - D Shape Toilet Seat

## Code: MLTSDS

- Highly Durable Duroplast Toilet Seat
- Soft Close Toilet Seat
- One Button Quick Release
- Universal D Shape, fits most D Shaped Toilet Pans
- Top Fix & Bottom Fix Hinge



The information contained on this page was correct at date of issue. Fitting dimensions are provided as a guide only. Some variation may occur due to manufacturing tolerances. We pursue a policy of continuing improvement in design and performance of our products and so reserve the right to change specifications without prior notice.