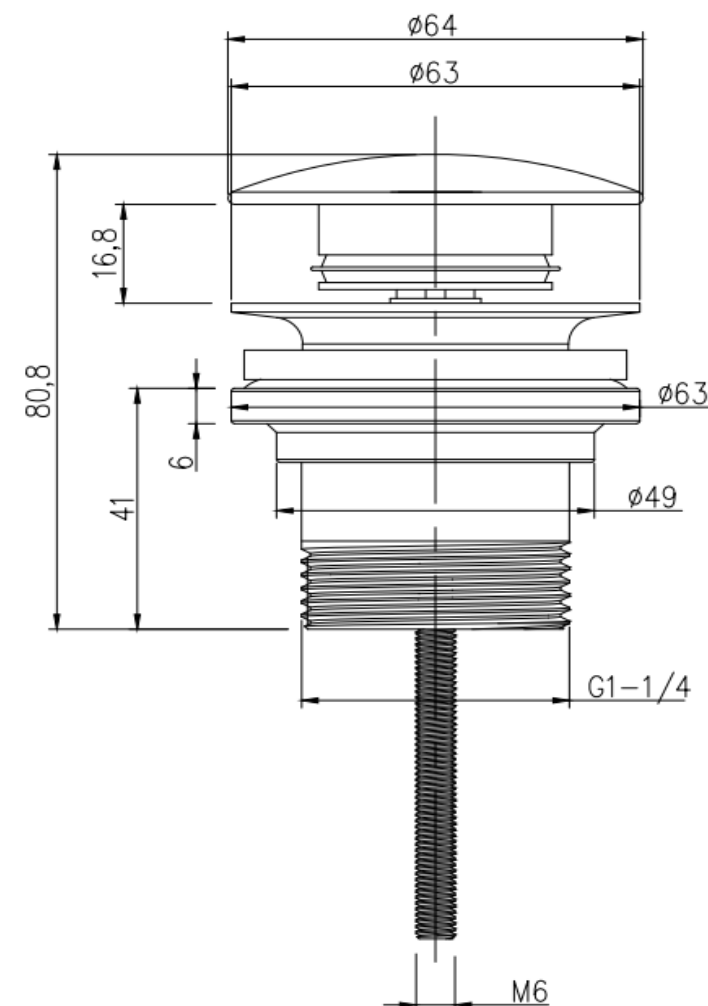


Universal Basin Waste Gun Metal - BASWASUNGGM

CONSTRUCTION	Brass Body
FINISHES	Gun Metal PVD Finish
PRODUCT TYPE	Contemporary
PLUMBING SYSTEMS	Suitable for all plumbing systems
FITTING	G1 1/4" BSP



The information contained on this page was correct at date of issue. Fitting dimensions are provided as a guide only. Some variation may occur due to manufacturing tolerances. We pursue a policy of continuing improvement in design and performance of our products and so reserve the right to change specifications without prior notice.