

Romsey Heated Towel Rail Installation Manual



MYLIFE®

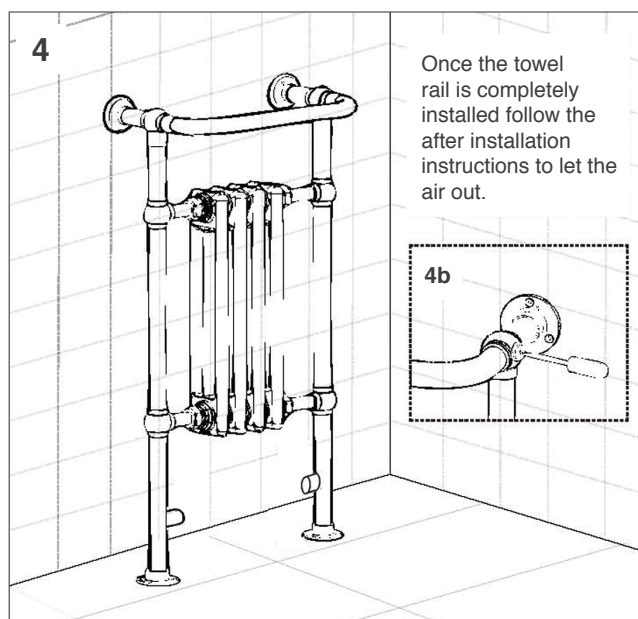
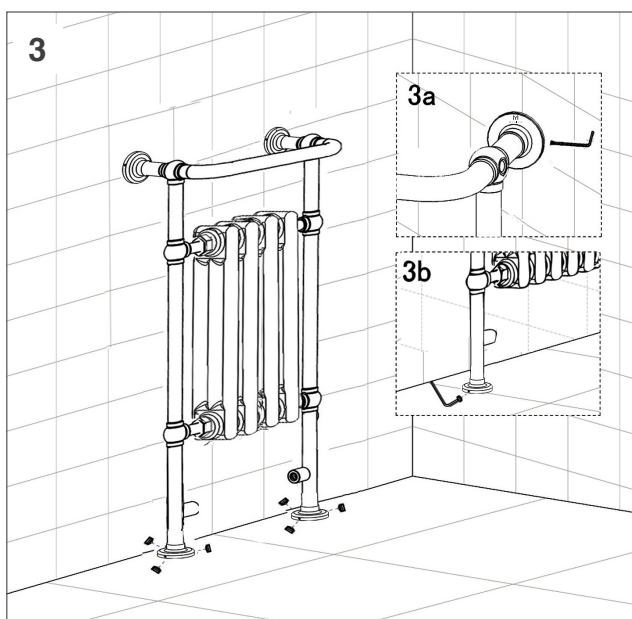
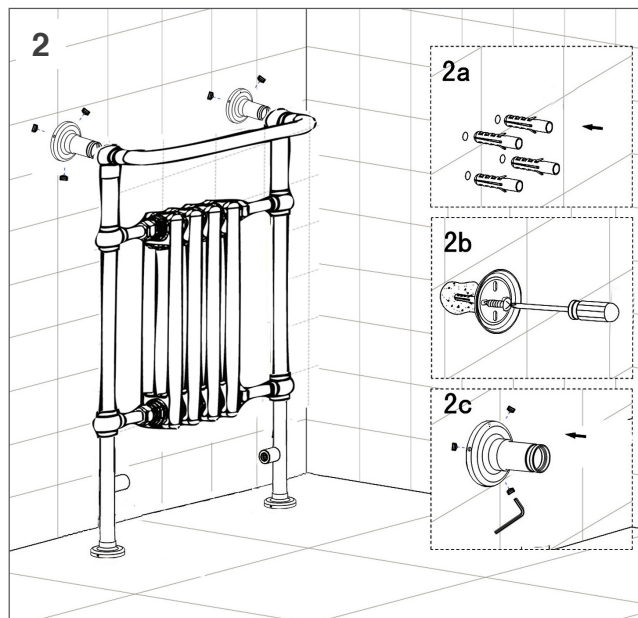
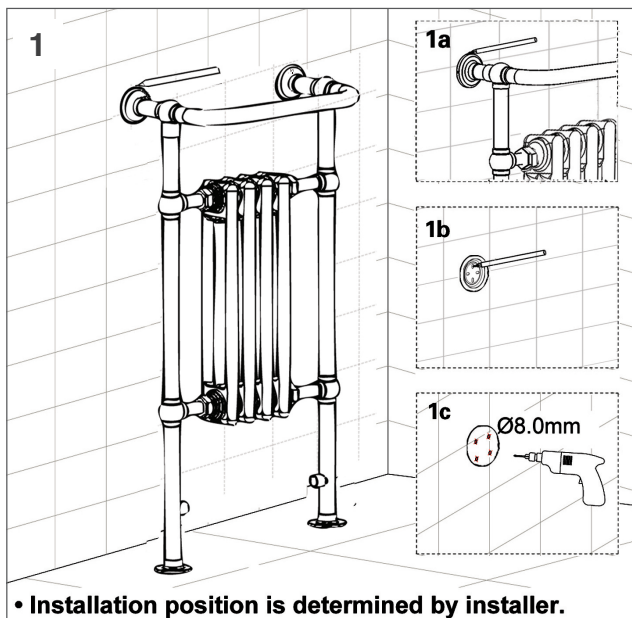
**THIS PRODUCT MUST BE INSTALLED
BY A LICENSED PLUMBER**

PRE-INSTALLATION CHECKS

- Before installing the heated towel rail, please make sure you have received all items and that they are undamaged. Any damage claims after installation will not be accepted.
- Check that the floor and wall are level and perpendicular.

Note: Please note due to manufacturing tolerances pipe centres may vary by +/- 10mm, we recommend that pipe work is not altered until your towel rail / radiator is on site.

INSTALLATION



Romsey Heated Towel Rail Installation Manual



AFTER INSTALLATION

- Use a screwdriver to open the air vent, open the valve and let water rush into the towel rail. Check all connections for leaks.
- Once water overflows from the air vent, there is no air in the towel rail.
- Use a screwdriver to close the air vent, turn on the valve and the towel warmer is ready for use.

CARE INSTRUCTION

- Do not use abrasive cleaners or scouring pads to clean the heated towel rail as they may scratch and dull the surface.
- Use warm soapy water or liquid detergent to clean the surface and dry with a soft cloth.

AFTER SALES & TECHNICAL SUPPORT

Our highly experienced after sales and technical support team are always on hand to help should you require technical advice or a spare part.

T: +44 (0)28 3025 9988

E: technical@mylifebathrooms.com