

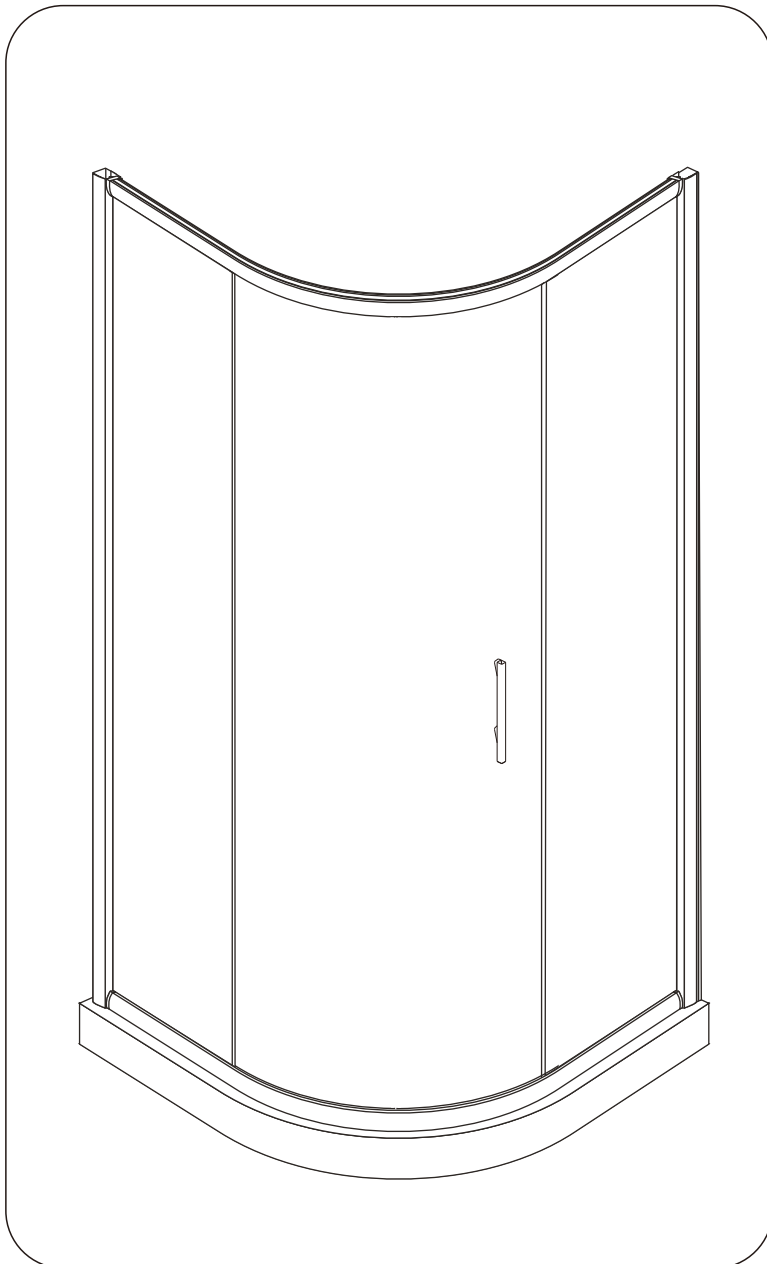
# QUAD ONE DOOR



MYLIFE

www.mylifebathrooms.com

## INSTALLATION INSTRUCTIONS



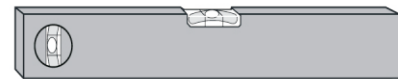
### Tools Required



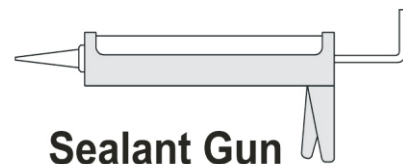
**Drill**



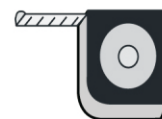
6mm Masonry Drill  
3.2mm HSS Drill



**Spirit level**



**Sealant Gun**



**Tape Measure**



**Pencil**



**PH2 TYPE  
Screwdriver**

Please not hand tools **NOT** supplied.

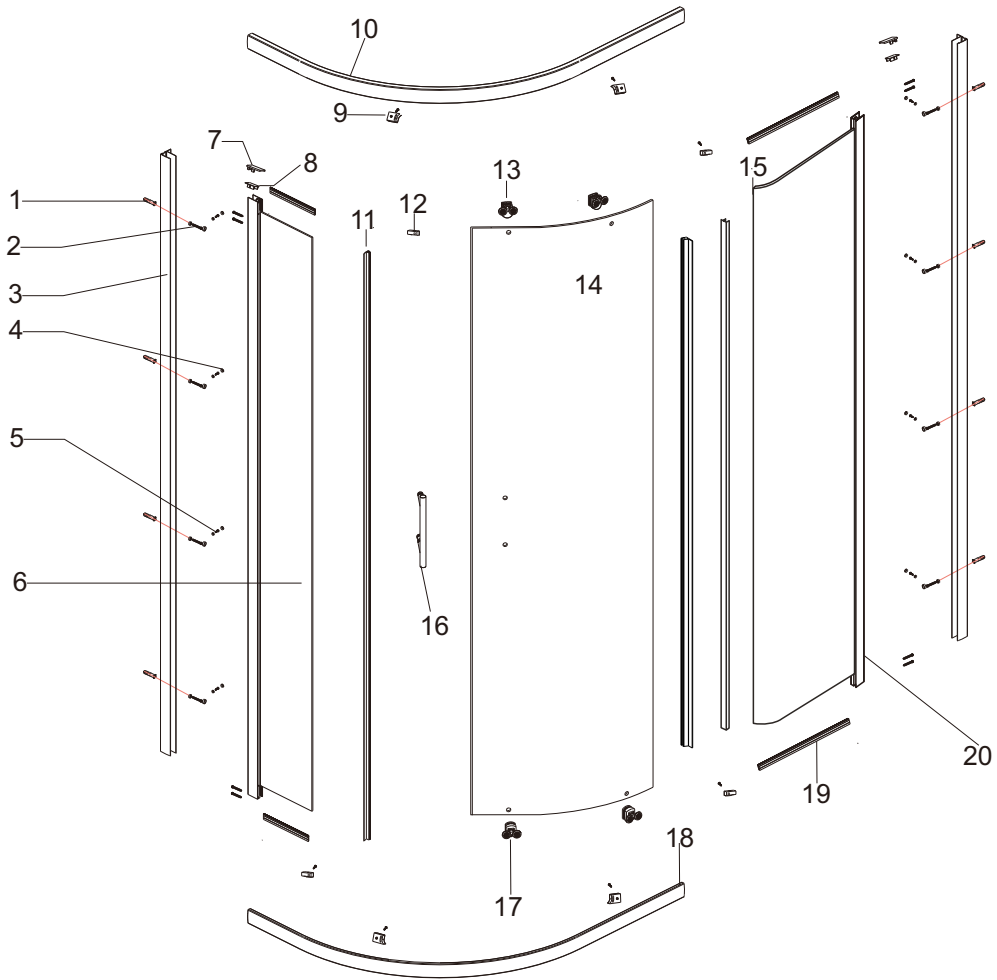
## IMPORTANT

These instructions assume that installation is done against solid/tiled walls.

The wall plugs supplied with the installation kit are for use on solid walls. Hollow or stud-partition walls will require alternative fixings. Please consult with a reputable trades person or hardware supplier for the correct type of fixing.

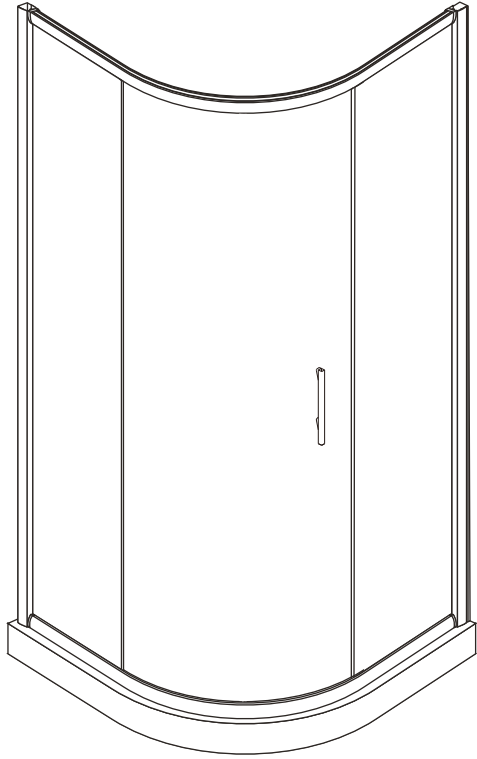
It may also be necessary to consult your tiling supplier about the correct method drilling your tiles.

## Components And Box Contents

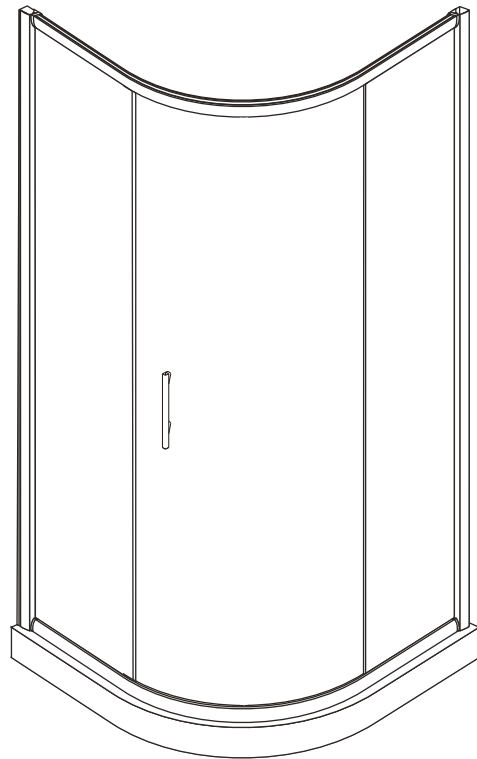


NO.	Code	Description	Qty	NO.	Code	Description	Qty
1	BNQD-01	Wall Plug	8	11	BNQD-11	Vertical Seal	3
2	BNQD-02	Screw M4*30	16	12	BNQD-12	Chrome Piece	4
3	BNQD-03	Wall Profile	2	13	BNQD-13	Top Rollers	2
4	BNQD-04	Screw cover Caps	8	14	BNQD-14	Moving Glass Panel	1
5	BNQD-05	Screw M4*10	16	15	BNQD-15	Fixed Glass Pane	1
6	BNQD-06	Fixed Glass Panel	1	16	BNQD-16	Handle	1
7	BNQD-07	Cover Caps A	2	17	BNQD-17	Bottom Rollers	2
8	BNQD-08	Cover Caps B	2	18	BNQD-18	Bottom Rail Profile	1
9	BNQD-09	Stopper	4	19	BNQD-19	Bottom Seal	4
10	BNQD-10	Top Rail Profile	1	20	BNQD-20	Fixed Profile	2

Left

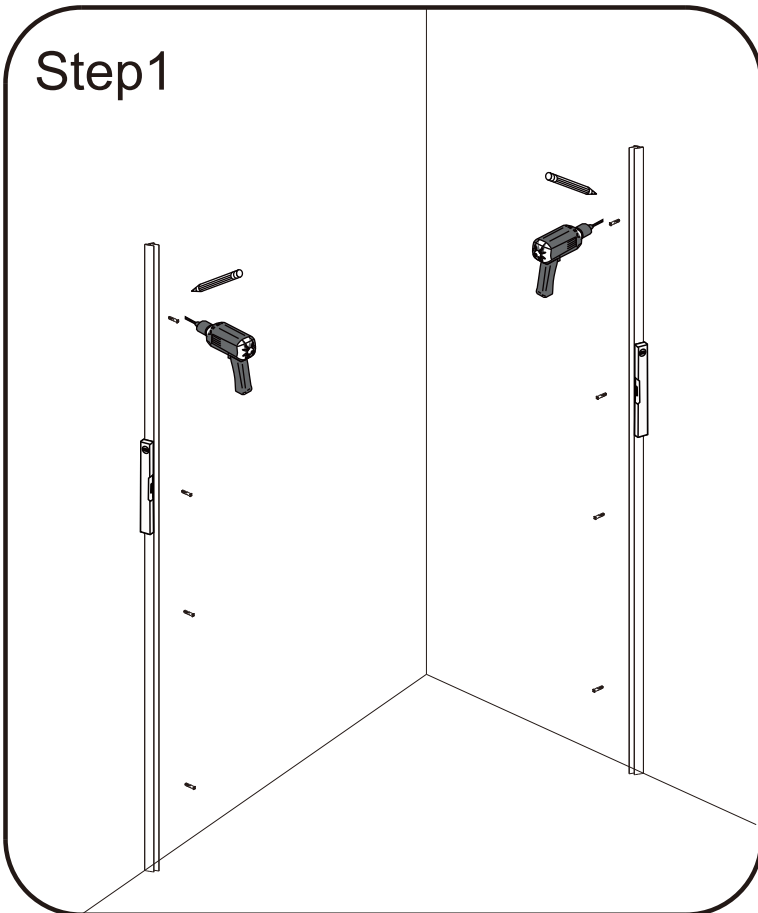


Right



## Installation Steps

Step 1



1-A

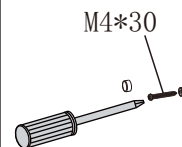


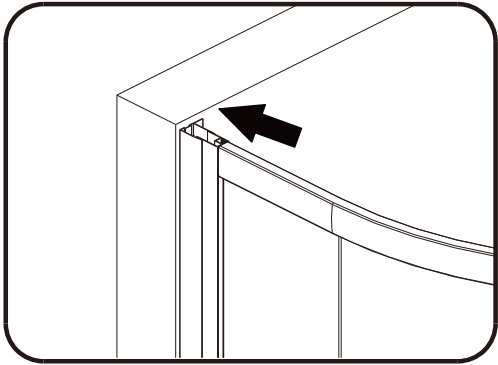
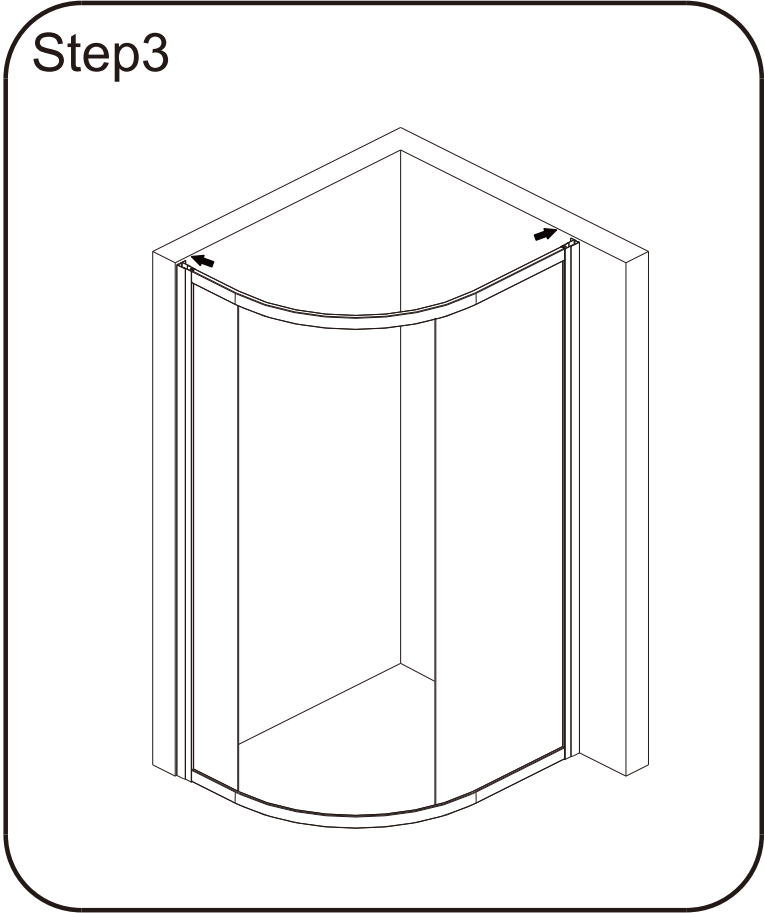
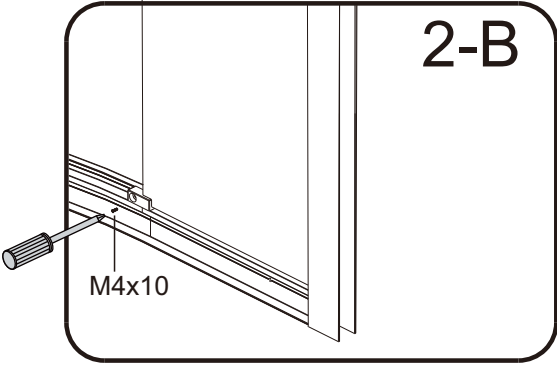
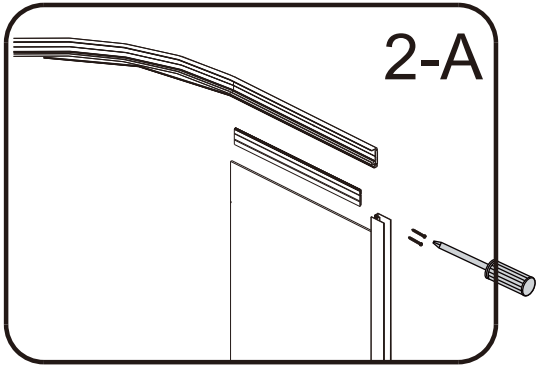
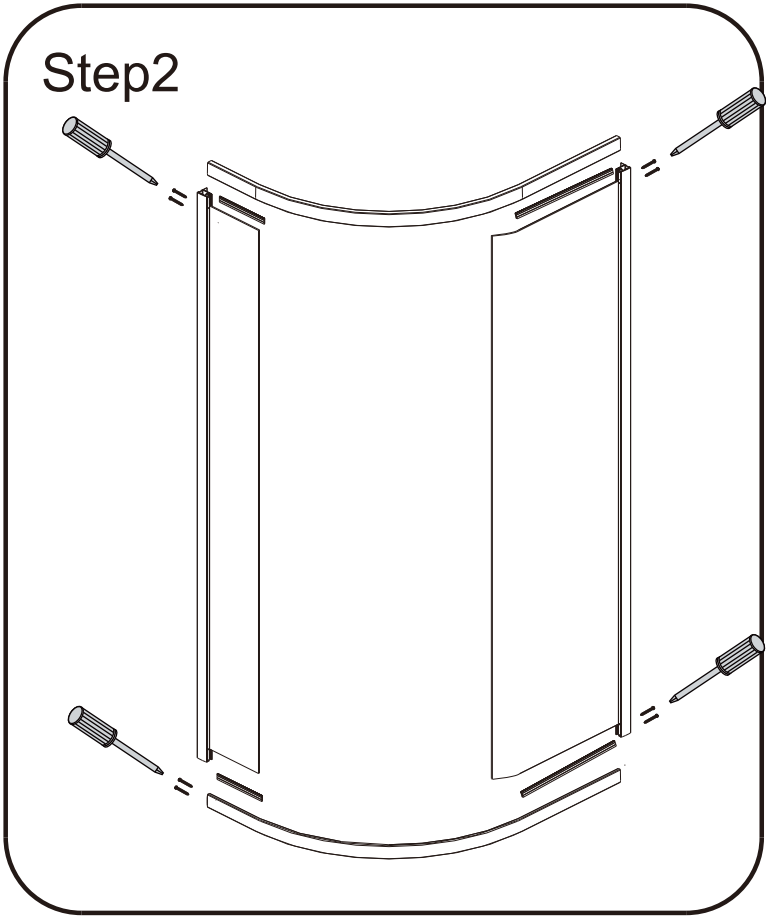
Φ6 drill bit

1-B

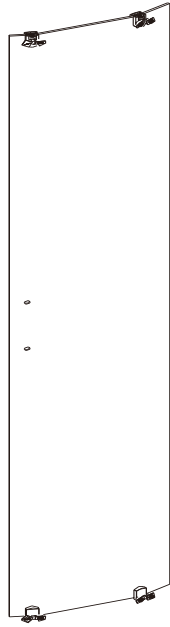


1-C

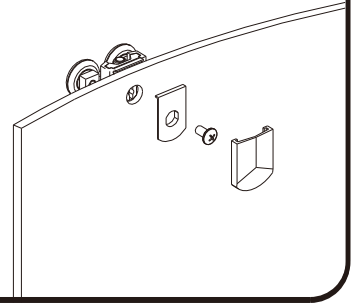




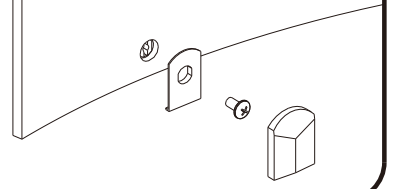
Step4



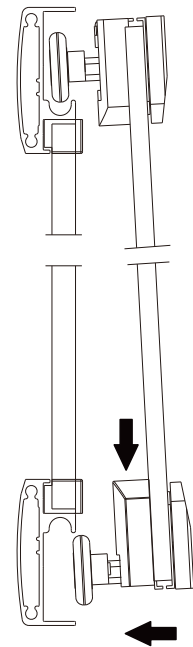
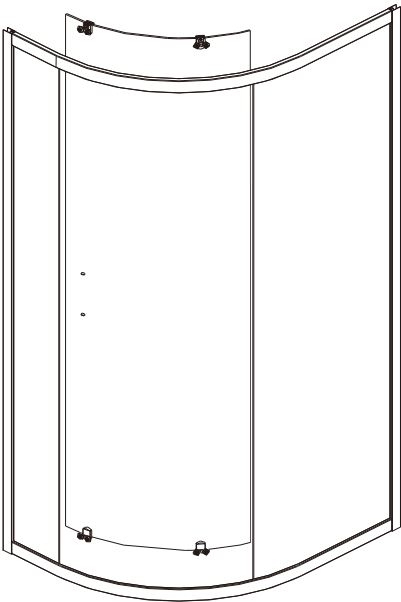
4-A



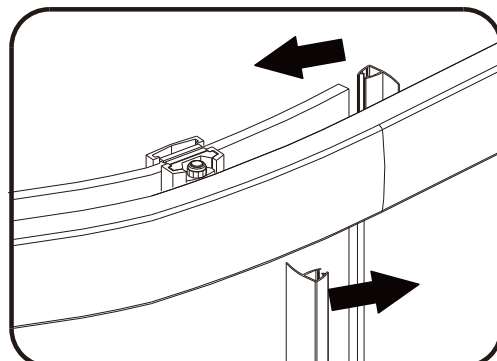
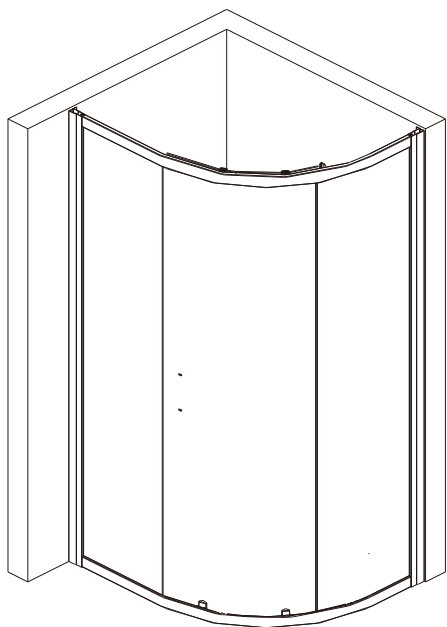
4-B



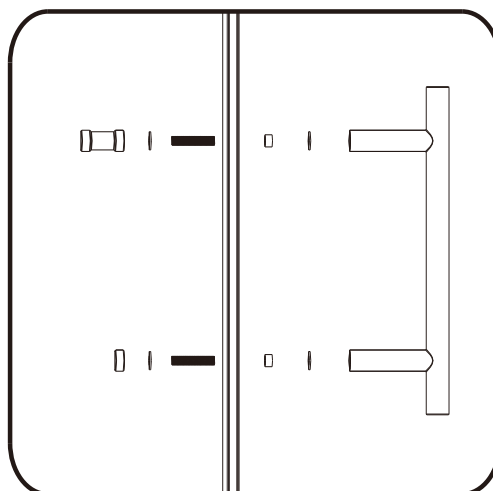
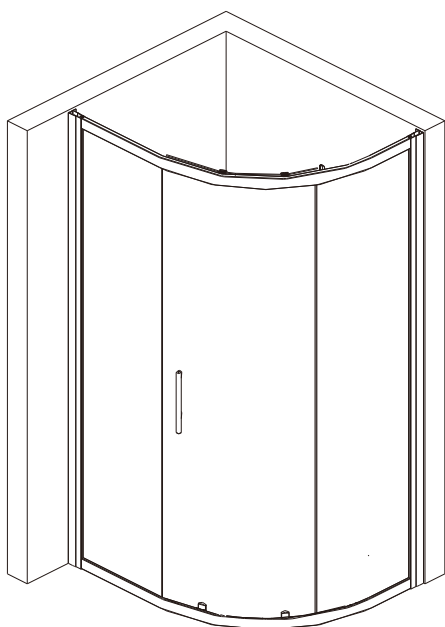
Step5



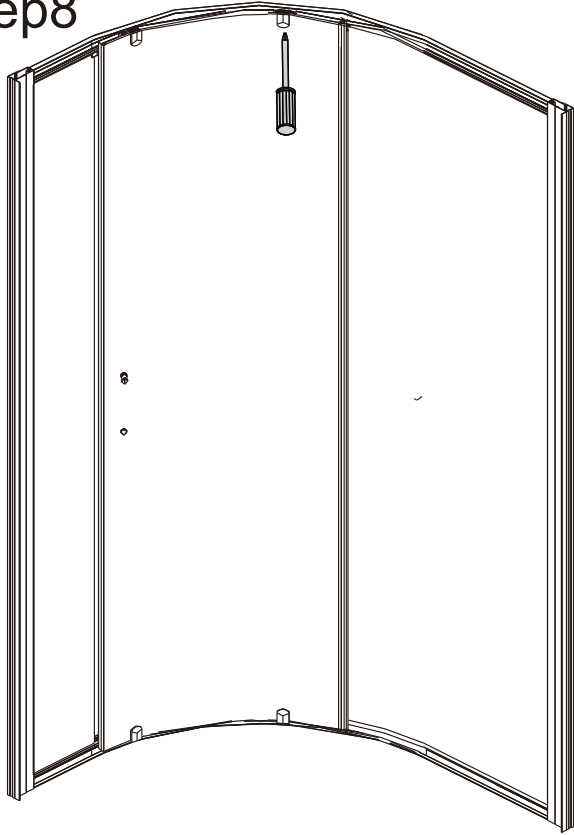
# Step6



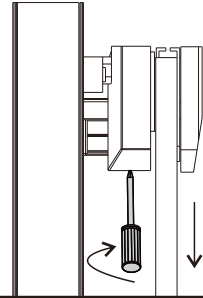
# Step7



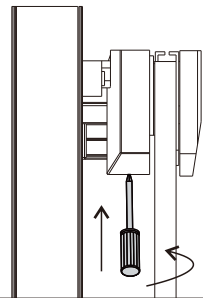
### Step 8



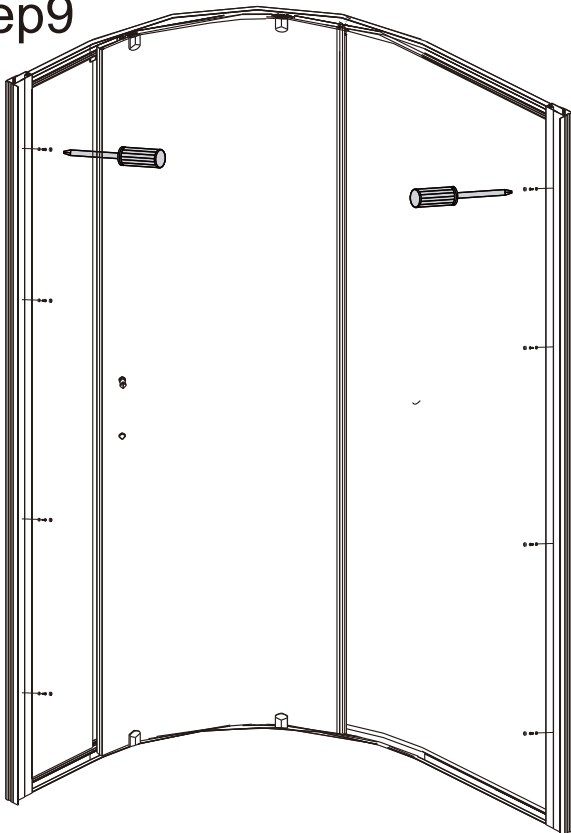
### 8-A



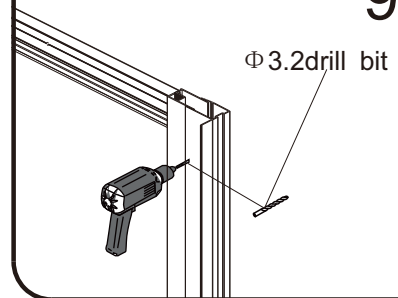
### 8-B



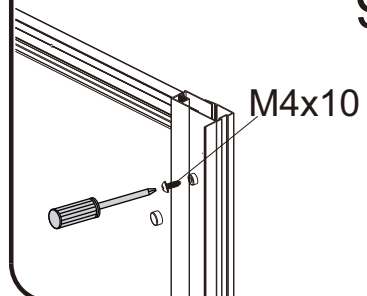
### Step 9



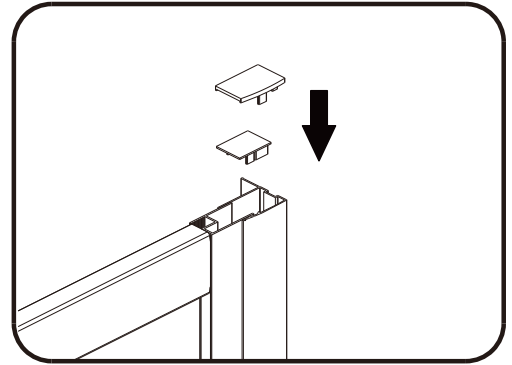
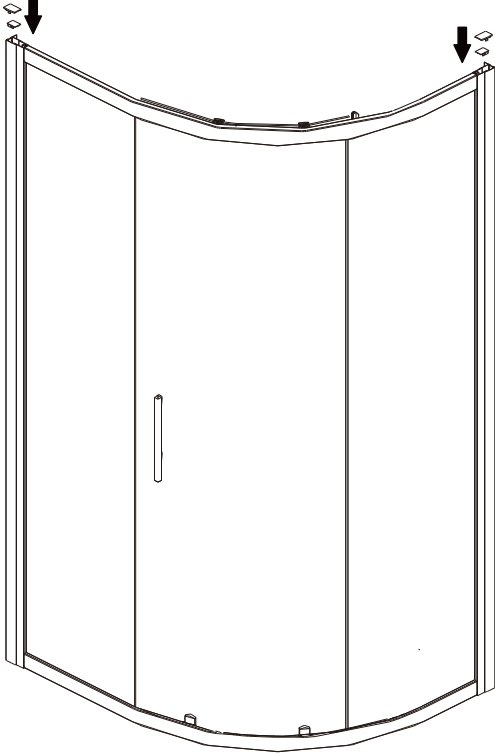
### 9-A



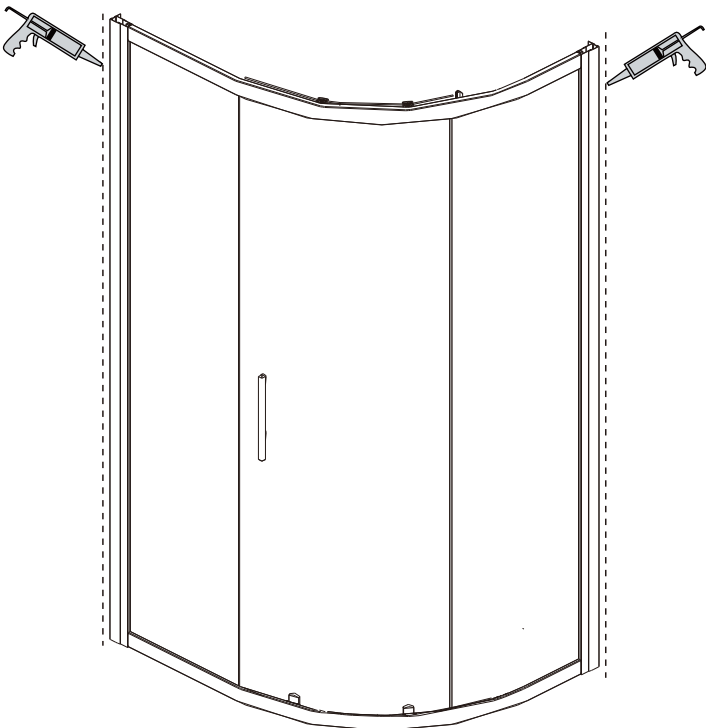
### 9-B



## Step 10



## Step 11



**Allow 24 hours for silicone to dry before use.**

**Silicone on the outside edge only**