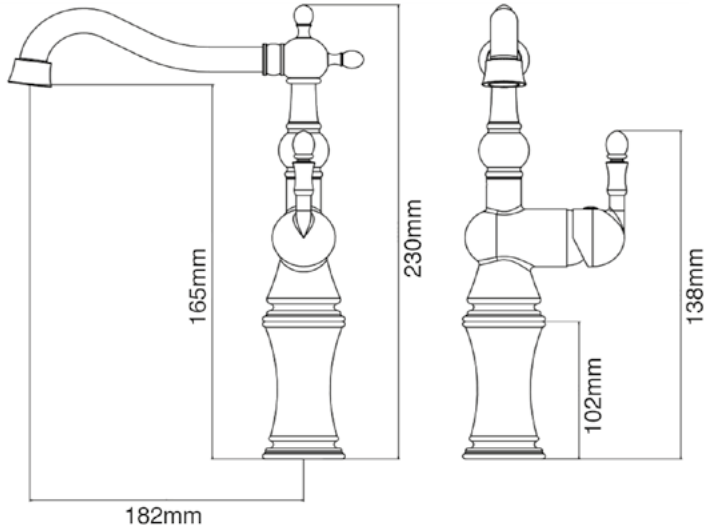




Construction	Brass Body CuZn40Pb2, EN CW617N (equivalent to BS CZ122) Zinc alloy Handle
Finishes	Chrome plated to BS EN 248
Product Type	Traditional
Water Pressure	Min. 0.5 bar, Max. 6.0 bar
Plumbing Systems	Suitable for all plumbing systems
Standards	Complies with BS6920, BS EN200
Cartridge	Compression Cartridge
Fitting	UK: M10 x 350mm ½" BSP Female Flexi Tails EU: M10 x 350mm 3/8" BSP Female Flexi Tails.
Aerator	Aerator spout
Guarantee	10 years against manufacturing faults (3 Years on Serviceable Parts).

Additional Information Supplied with G 1¼" sprung waste (UK only)



Flow Rates (Litres per minute)

System Pressure	0.1 Bar	0.2 Bar	0.3 Bar	0.5 Bar	1.0 Bar	1.5 Bar	2.0 Bar	3.0 Bar	4.0 Bar	5.0 Bar
	-	2.2	-	4.5	6.0	-	8.5	10.2	-	-

The information contained on this page was correct at date of issue. Fitting dimensions are provided as a guide only. Some variation may occur due to manufacturing tolerances. We pursue a policy of continuing improvement in design and performance of our products and so reserve the right to change specifications without prior notice.