



Construction

Finishes

Product Type

Water Pressure

Plumbing Systems

Standards

Cartridge

Fitting

Guarantee

Brass Body

Chrome

Contemporary

Min. 0.5 bar, Max. 6.0 bar

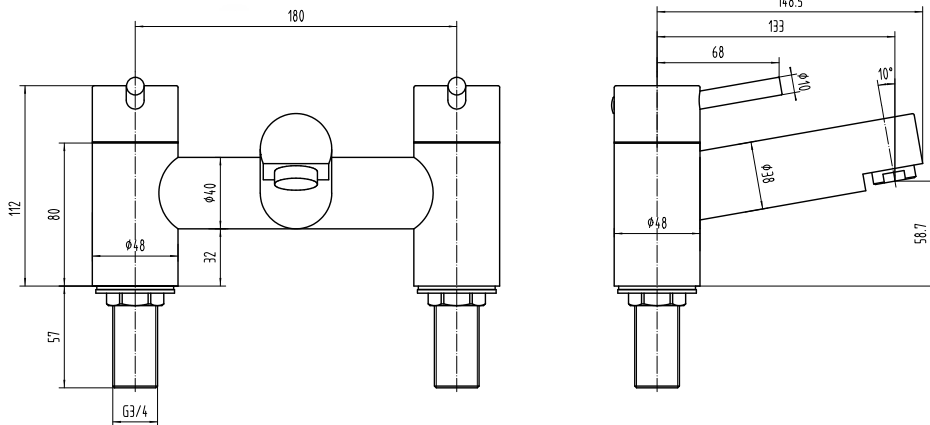
Suitable for all plumbing systems

Complies with BS5412, BS EN200

1/4 Turn 3/4" Ceramic Disc Valves

Brass 3/4" BSP Tails

10 years against manufacturing faults (3 Years on Serviceable Parts).



Flow Rates (Litres per minute)

| System Pressure | 0.1 Bar | 0.2 Bar | 0.3 Bar | 0.5 Bar | 1.0 Bar | 1.5 Bar | 2.0 Bar | 3.0 Bar | 4.0 Bar | 5.0 Bar |
|-----------------|---------|---------|---------|---------|---------|---------|---------|---------|---------|---------|
| MLTATI4 | 9.2 | 13.0 | 16.0 | 20.5 | 29.4 | 36.1 | 41.7 | 51.0 | - | - |

The information contained on this page was correct at date of issue. Fitting dimensions are provided as a guide only. Some variation may occur due to manufacturing tolerances. We pursue a policy of continuing improvement in design and performance of our products and so reserve the right to change specifications without prior notice.