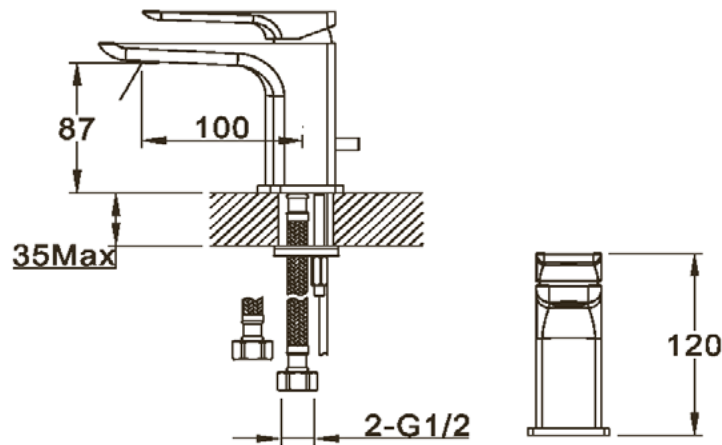




|                         |   |
|-------------------------|---|
| <b>Construction</b>     | Brass Body (CuZn40Pb18)   |
| <b>Finishes</b>         | Matt Black Electro Plated   |
| <b>Product Type</b>     | Contemporary  |
| <b>Water Pressure</b>   | Min. 0.2 bar, Max. 6.0 bar  |
| <b>Plumbing Systems</b> | Suitable for all plumbing systems                                     |
| <b>Standards</b>        | Complies with BS5412, BS EN200  |
| <b>Cartridge</b>        | 35mm Triduon ceramic disc cartridge                                   |
| <b>Fitting</b>          | M10 x 350mm ½" BSP Female Flexi Tails                                 |
| <b>Guarantee</b>        | 10 years against manufacturing faults (3 Years on Serviceable Parts). |



**Flow Rates** (Litres per minute)

| System Pressure | 0.1 Bar | 0.2 Bar | 0.3 Bar | 0.5 Bar | 1.0 Bar | 1.5 Bar | 2.0 Bar | 3.0 Bar | 4.0 Bar | 5.0 Bar |
|-----------------|---------|---------|---------|---------|---------|---------|---------|---------|---------|---------|
|                 | 1.0     | 1.7     | -       | 4.2     | 6.5     | 8.0     | 9.5     | -       | -       | -       |

The information contained on this page was correct at date of issue. Fitting dimensions are provided as a guide only. Some variation may occur due to manufacturing tolerances. We pursue a policy of continuing improvement in design and performance of our products and so reserve the right to change specifications without prior notice.