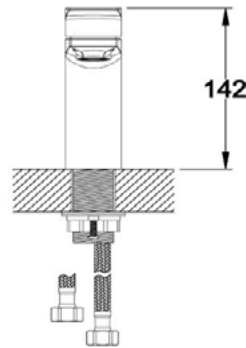
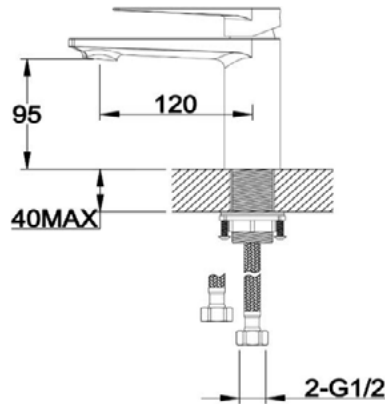




Construction	Brass Body CuZn40Pb2, EN CW617N (equivalent to BS CZ122)
Finishes	Chrome plated to BS EN 248
Product Type	Contemporary
Water Pressure	Min. 0.2 bar, Max. 6.0 bar
Plumbing Systems	Suitable for all plumbing systems
Standards	Complies with BS5412, BS EN200
Cartridge	35mm Ceramic disc cartridge
Aerator	Neoperl
Fitting	UK: M10 x 350mm ½" BSP Female Flexi Tails EU: M10x350mm 3/8" BSP Female Flexi Tails
Guarantee	10 years against manufacturing faults (excluding serviceable parts).

Additional Information Supplied with G 1¼" sprung waste (UK only)



Flow Rates (Litres per minute)

System Pressure	0.1 Bar	0.2 Bar	0.3 Bar	0.5 Bar	1.0 Bar	1.5 Bar	2.0 Bar	3.0 Bar	4.0 Bar	5.0 Bar
MLTAGL1	2.00	3.80		5.80	9.50		13.90	15.60	-	-

The information contained on this page was correct at date of issue. Fitting dimensions are provided as a guide only. Some variation may occur due to manufacturing tolerances. We pursue a policy of continuing improvement in design and performance of our products and so reserve the right to change specifications without prior notice.