

### Construction

Brass Body (CuZn38b18)

### Finishes

Chrome plated to BS EN 248

### Product Type

Contemporary

### Water Pressure

Min. 1.0 bar, Max. 6.0 bar

### Plumbing Systems

Suitable for all plumbing systems, preferably balanced. Min. supply pressure differential requirement is 5:1

### Standards

Complies with BSEN 1111

### Cartridge

Thermostatic

### Fitting

Inlet: 3/4" Female thread

Outlet: 1/2" Female thread

### Guarantee

10 years against manufacturing faults (3 Years on Serviceable Parts).

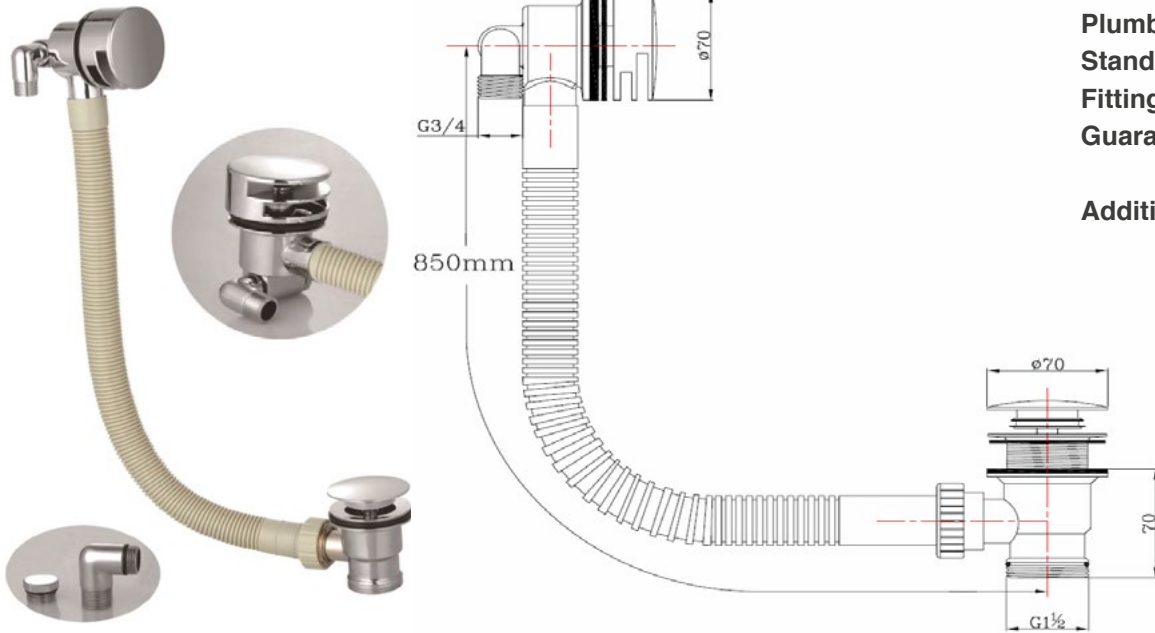
### Additional Information

1. Temperature: Pre-set 38°C, with push button override to 48°C.
2. Automatic shut off in the event of hot or cold water supply failure

### Flow Rates (Litres per minute)

System Pressure	0.1 Bar	0.2 Bar	0.3 Bar	0.5 Bar	1.0 Bar	1.5 Bar	2.0 Bar	3.0 Bar	4.0 Bar	5.0 Bar
	-	7.9	-	12.6	20.0	-	-	36.0	-	-

The information contained on this page was correct at date of issue. Fitting dimensions are provided as a guide only. Some variation may occur due to manufacturing tolerances. We pursue a policy of continuing improvement in design and performance of our products and so reserve the right to change specifications without prior notice.



**Construction**

**Finishes**

**Product Type**

**Water Pressure**

**Plumbing Systems**

**Standards**

**Fitting**

**Guarantee**

**Additional Information**

Core material: Brass & Zinc alloy,

Chrome plated to BS EN 248

Contemporary

Min. 1.0 bar, Max. 6.0 bar

Suitable for all plumbing systems

Complies with BS EN 200

3/4" BSP

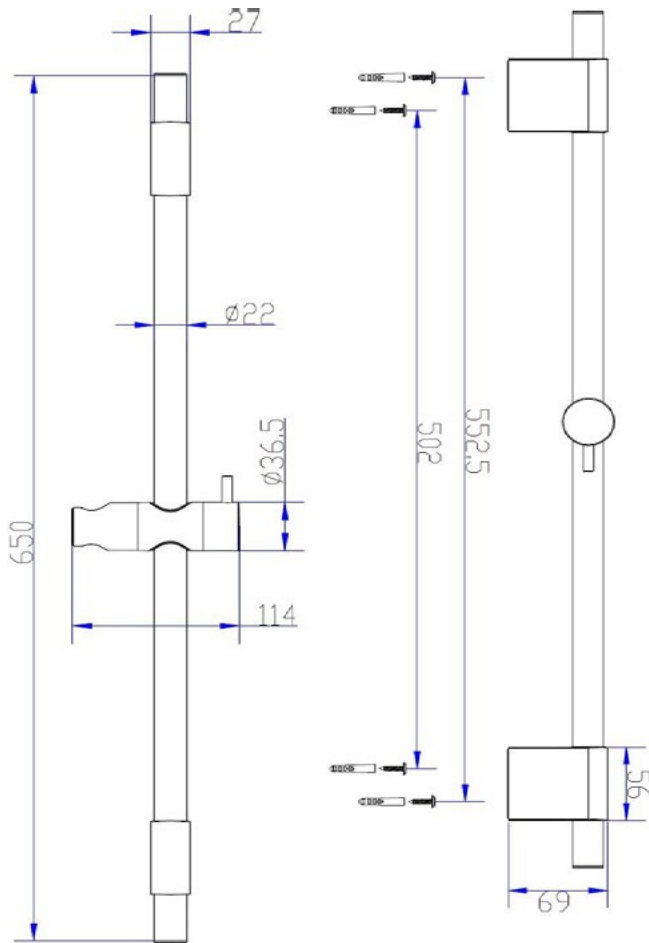
10 years against manufacturing faults (3 Years on Serviceable Parts).

Center to center length : 80cm

**Flow Rates (Litres per minute)**

System Pressure	0.1 Bar	0.2 Bar	0.3 Bar	0.5 Bar	1.0 Bar	1.5 Bar	2.0 Bar	3.0 Bar	4.0 Bar	5.0 Bar
	-	9.2	-	15.3	21.9	-	31.0	36.0	-	-

The information contained on this page was correct at date of issue. Fitting dimensions are provided as a guide only. Some variation may occur due to manufacturing tolerances. We pursue a policy of continuing improvement in design and performance of our products and so reserve the right to change specifications without prior notice.



**Construction**

**Finishes**

**Product Type**

**Plumbing Systems**

**Guarantee**

Stainless steel & brass

Chrome plated to BS EN 248

Contemporary

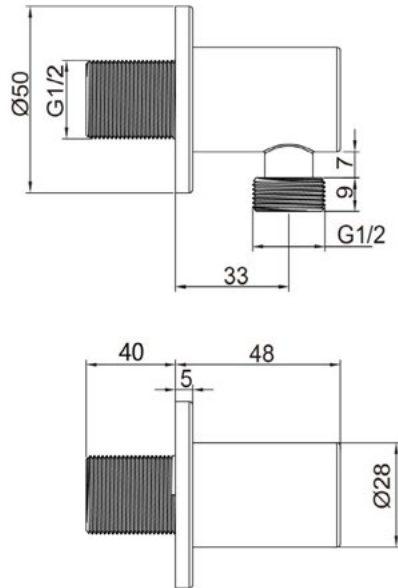
Suitable for all plumbing systems

10 years against manufacturing faults (3 Years on Serviceable Parts).

**Additional Information**

1. Adjustable brass handset holder;
2. Chrome ABS Shower handset, and 1.5m PVC shower hose

The information contained on this page was correct at date of issue. Fitting dimensions are provided as a guide only. Some variation may occur due to manufacturing tolerances. We pursue a policy of continuing improvement in design and performance of our products and so reserve the right to change specifications without prior notice.



**Construction**

**Finishes**

**Product Type**

**Plumbing Systems**

**Fitting**

**Guarantee**

Brass Body (CuZn40Pb18)

Chrome plated to BS EN 248

Contemporary

Suitable for all plumbing systems

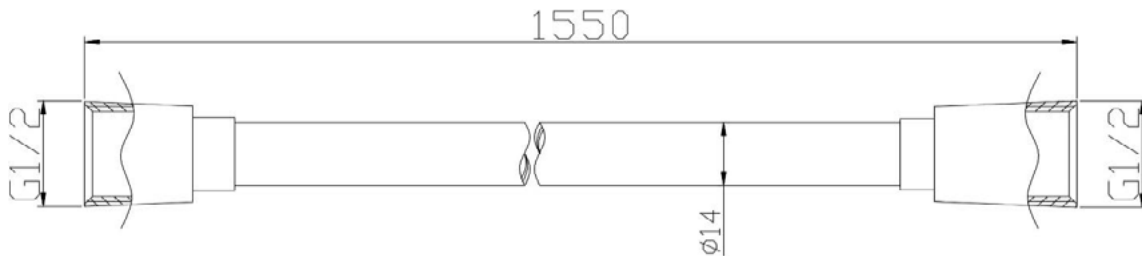
G1/2" BSP

10 years against manufacturing faults (3 Years on Serviceable Parts).

The information contained on this page was correct at date of issue. Fitting dimensions are provided as a guide only. Some variation may occur due to manufacturing tolerances. We pursue a policy of continuing improvement in design and performance of our products and so reserve the right to change specifications without prior notice.



<b>Construction</b>	EDPM
<b>Finishes</b>	Chrome
<b>Product Type</b>	Contemporary
<b>Plumbing Systems</b>	Suitable for all plumbing systems
<b>Certification</b>	Manufactured to comply with CE
<b>Additional Information</b>	Cone to cone connection



The information contained on this page was correct at date of issue. Fitting dimensions are provided as a guide only. Some variation may occur due to manufacturing tolerances. We pursue a policy of continuing improvement in design and performance of our products and so reserve the right to change specifications without prior notice.



<b>Construction</b>	ABS
<b>Finishes</b>	Chrome Plated
<b>Product Type</b>	Contemporary
<b>Water Pressure</b>	Min 1.0bar and Max 5.0bar
<b>Plumbing Systems</b>	Suitable for all plumbing systems
<b>Fitting</b>	G1/2"
<b>Guarantee</b>	10 years against manufacturing faults (3 Years on Serviceable Parts).

**Flow Rates** (Litres per minute)

System Pressure	0.1 Bar	0.2 Bar	0.3 Bar	0.5 Bar	1.0 Bar	1.5 Bar	2.0 Bar	3.0 Bar	4.0 Bar	5.0 Bar
	-	-	-	8.0	10.9	13.3	15.5	19.4	22.4	24.9

The information contained on this page was correct at date of issue. Fitting dimensions are provided as a guide only. Some variation may occur due to manufacturing tolerances. We pursue a policy of continuing improvement in design and performance of our products and so reserve the right to change specifications without prior notice.