

### Construction

Brass Body (CuZn38Pb18)

### Finishes

Chrome plated to BS EN 248

### Product Type

Contemporary

### Water Pressure

Min. 1.0 bar, Max. 6.0 bar

### Plumbing Systems

Suitable for all plumbing systems, preferably balanced. Min. supply pressure differential requirement is 5:1

### Standards

Complies with BSEN 1111

### Cartridge

Thermostatic

### Fitting

Inlet: 3/4" female thread

Outlet: 1/2" Female thread

### Guarantee

10 years against manufacturing faults (3 Years on Serviceable Parts).

### Additional Information

1. Temperature: Pre-set 38°C, with push button override to 48°C
2. Automatic shut off in the event of hot or cold water supply failure

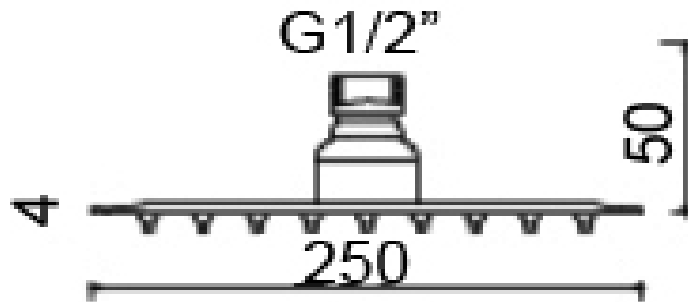
### Flow Rates (Litres per minute)

System Pressure	0.1 Bar	0.2 Bar	0.3 Bar	0.5 Bar	1.0 Bar	1.5 Bar	2.0 Bar	3.0 Bar	4.0 Bar	5.0 Bar
38°C (L/min)		7.9	-	12.6	20.0			36.0	-	-

The information contained on this page was correct at date of issue. Fitting dimensions are provided as a guide only. Some variation may occur due to manufacturing tolerances. We pursue a policy of continuing improvement in design and performance of our products and so reserve the right to change specifications without prior notice.



250mm



<b>Construction</b>	Stainless steel 304
<b>Finishes</b>	Chrome
<b>Product Type</b>	Contemporary
<b>Water Pressure</b>	Min 1.0 bar and Max 5.0 bar
<b>Plumbing Systems</b>	Suitable for all plumbing systems
<b>Weight(net)</b>	0.75kg/piece
<b>Fitting</b>	G1/2"
<b>Guarantee</b>	10 years against manufacturing faults (3 Years on Serviceable Parts).
 <b>Additional Information</b>	 Size: 250X250mm

**Flow Rates** (Litres per minute)

System Pressure	0.1 Bar	0.2 Bar	0.3 Bar	0.5 Bar	1.0 Bar	1.5 Bar	2.0 Bar	3.0 Bar	4.0 Bar	5.0 Bar
	5.5	13.3	-	19.2	21.5	-	-	-	-	-

The information contained on this page was correct at date of issue. Fitting dimensions are provided as a guide only. Some variation may occur due to manufacturing tolerances. We pursue a policy of continuing improvement in design and performance of our products and so reserve the right to change specifications without prior notice.

**Construction**

**Finishes**

**Product Type**

**Plumbing Systems**

**Fitting**

**Guarantee**

Brass Body (CuZn38Pb18)

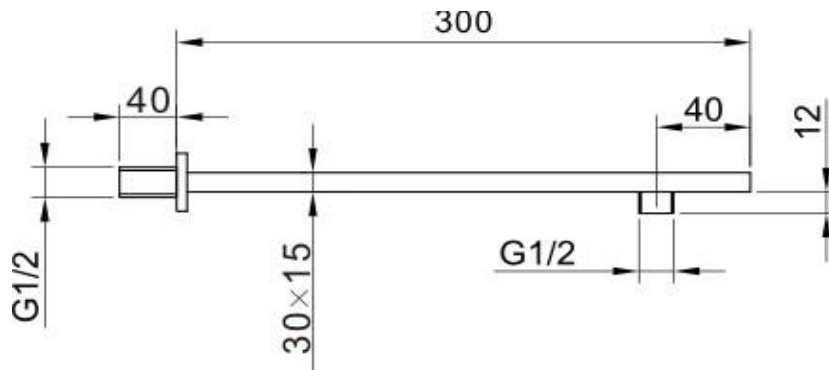
Chrome plated to BS EN 248

Contemporary

Suitable for all plumbing systems

G1/2" BSP

10 years against manufacturing faults (3 Years on Serviceable Parts).



The information contained on this page was correct at date of issue. Fitting dimensions are provided as a guide only. Some variation may occur due to manufacturing tolerances. We pursue a policy of continuing improvement in design and performance of our products and so reserve the right to change specifications without prior notice.