

Construction

Brass Body (CuZn38Pb18)

Finishes

Chrome plated to BS EN 248

Product Type

Contemporary

Water Pressure

Min. 0.2 bar, Max. 6.0 bar

Plumbing Systems

Suitable for all plumbing systems, preferably balanced. Min. supply pressure differential requirement is 5:1

Standards

Complies with BSEN 1111

Cartridge

Thermostatic

Fitting

Inlet: 3/4" female thread

Outlet: 1/2" Female thread

Guarantee

10 years against manufacturing faults (3 Years on Serviceable Parts).

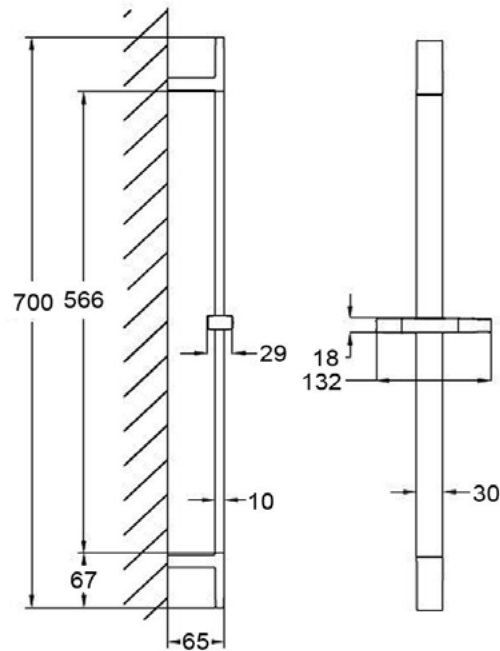
Additional Information

1. Temperature: Pre-set 38°C, with push button override to 48°C
2. Automatic shut off in the event of hot or cold water supply failure

Flow Rates (Litres per minute)

System Pressure	0.1 Bar	0.2 Bar	0.3 Bar	0.5 Bar	1.0 Bar	1.5 Bar	2.0 Bar	3.0 Bar	4.0 Bar	5.0 Bar
38°C (L/min)		7.9	-	12.6	20.0			36.0	-	-

The information contained on this page was correct at date of issue. Fitting dimensions are provided as a guide only. Some variation may occur due to manufacturing tolerances. We pursue a policy of continuing improvement in design and performance of our products and so reserve the right to change specifications without prior notice.



Construction

Stainless steel & ABS

Finishes

Chrome plated to BS EN 248

Product Type

Contemporary

Plumbing Systems

Suitable for all plumbing systems

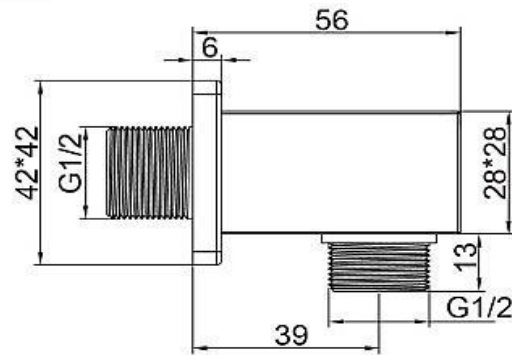
Guarantee

10 years against manufacturing faults (3 Years on Serviceable Parts).

Additional Information

1. Adjustable ABS handset holder
2. Chrome, ABS, single-mode shower handset; and Stainless steel 1.5m hose

The information contained on this page was correct at date of issue. Fitting dimensions are provided as a guide only. Some variation may occur due to manufacturing tolerances. We pursue a policy of continuing improvement in design and performance of our products and so reserve the right to change specifications without prior notice.



Construction

Brass Body (CuZn40Pb18)

Finishes

Chrome plated to BS EN 248

Product Type

Contemporary

Plumbing Systems

Suitable for all plumbing systems

Fitting

G1/2" BSP

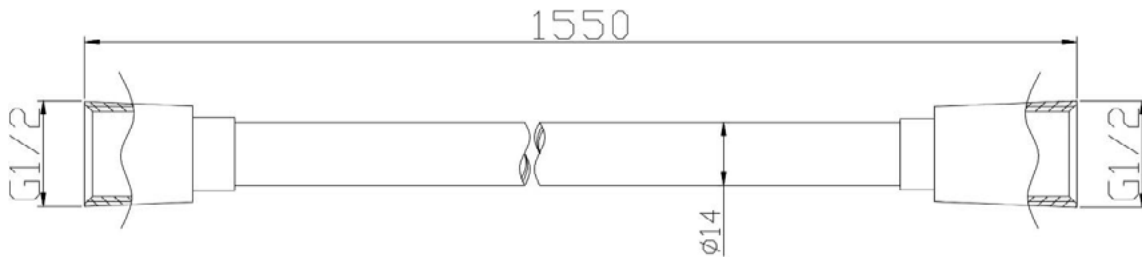
Guarantee

10 years against manufacturing faults (3 Years on Serviceable Parts).

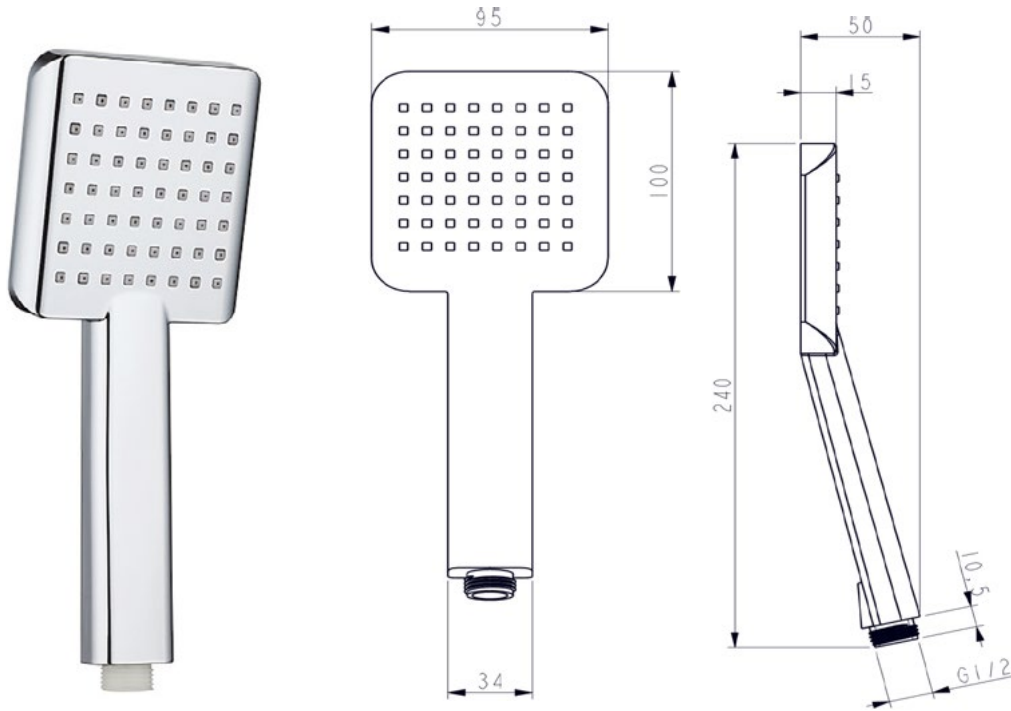
The information contained on this page was correct at date of issue. Fitting dimensions are provided as a guide only. Some variation may occur due to manufacturing tolerances. We pursue a policy of continuing improvement in design and performance of our products and so reserve the right to change specifications without prior notice.



Construction	EDPM
Finishes	Chrome
Product Type	Contemporary
Plumbing Systems	Suitable for all plumbing systems
Certification	Manufactured to comply with CE
Additional Information	Cone to cone connection



The information contained on this page was correct at date of issue. Fitting dimensions are provided as a guide only. Some variation may occur due to manufacturing tolerances. We pursue a policy of continuing improvement in design and performance of our products and so reserve the right to change specifications without prior notice.



Construction

ABS

Finishes

Chrome Plated

Product Type

Contemporary

Water Pressure

Min 1.0bar and Max 5.0bar

Plumbing Systems

Suitable for all plumbing systems

Fitting

G1/2"

Guarantee

10 years against manufacturing faults (3 Years on Serviceable Parts).

Flow Rates (Litres per minute)

System Pressure	0.1 Bar	0.2 Bar	0.3 Bar	0.5 Bar	1.0 Bar	1.5 Bar	2.0 Bar	3.0 Bar	4.0 Bar	5.0 Bar
	-	-	-	5.0	8.5	11.0	12.5	15.5	18.0	21.0

The information contained on this page was correct at date of issue. Fitting dimensions are provided as a guide only. Some variation may occur due to manufacturing tolerances. We pursue a policy of continuing improvement in design and performance of our products and so reserve the right to change specifications without prior notice.