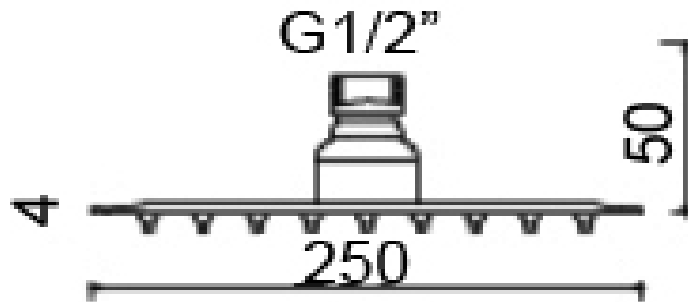




250mm



Construction	Stainless steel 304
Finishes	Chrome
Product Type	Contemporary
Water Pressure	Min 0.2bar and Max 5.0bar
Plumbing Systems	Suitable for all plumbing systems
Weight(net)	0.75kg/piece
Fitting	G1/2"
Guarantee	10 years against manufacturing faults (3 Years on Serviceable Parts).

Additional Information Size: 250X250mm

Flow Rates (Litres per minute)

System Pressure	0.1 Bar	0.2 Bar	0.3 Bar	0.5 Bar	1.0 Bar	1.5 Bar	2.0 Bar	3.0 Bar	4.0 Bar	5.0 Bar
	5.5	13.3	-	19.2	21.5	-	-	-	-	-

The information contained on this page was correct at date of issue. Fitting dimensions are provided as a guide only. Some variation may occur due to manufacturing tolerances. We pursue a policy of continuing improvement in design and performance of our products and so reserve the right to change specifications without prior notice.