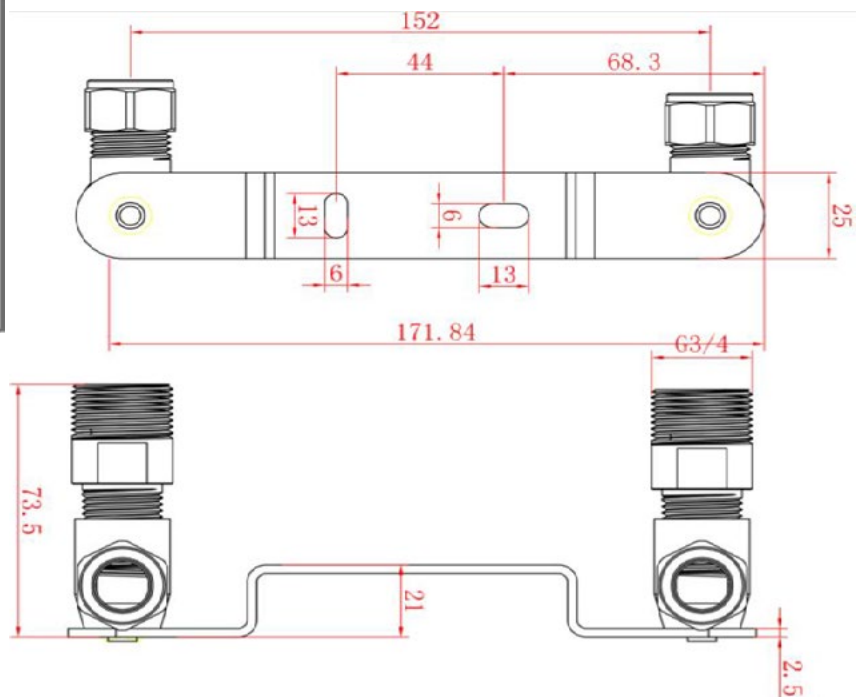
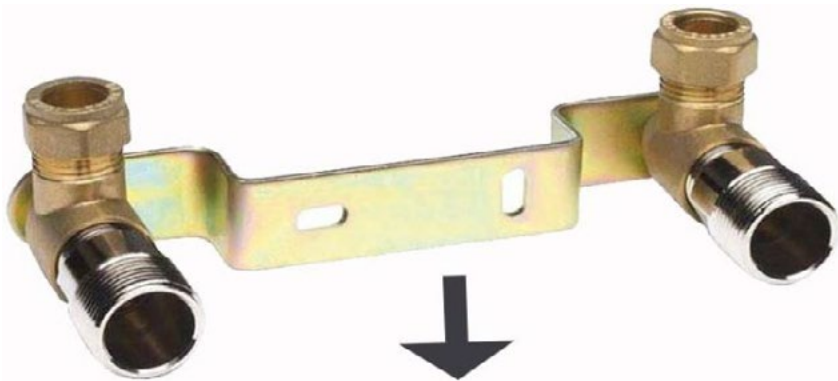


# Desire Cavity Mounting Bracket for Bar Valves

Code: MLSHDECMB

<b>Construction</b>	Brass Body (CuZn38Pb18)
<b>Finishes</b>	Chrome plated to BS EN 248
<b>Product Type</b>	Contemporary
<b>Plumbing Systems</b>	Suitable for all plumbing systems
<b>Fitting</b>	Inlet: 15mm compression connection Outlet: G1/2" BSP



The information contained on this page was correct at date of issue. Fitting dimensions are provided as a guide only. Some variation may occur due to manufacturing tolerances. We pursue a policy of continuing improvement in design and performance of our products and so reserve the right to change specifications without prior notice.