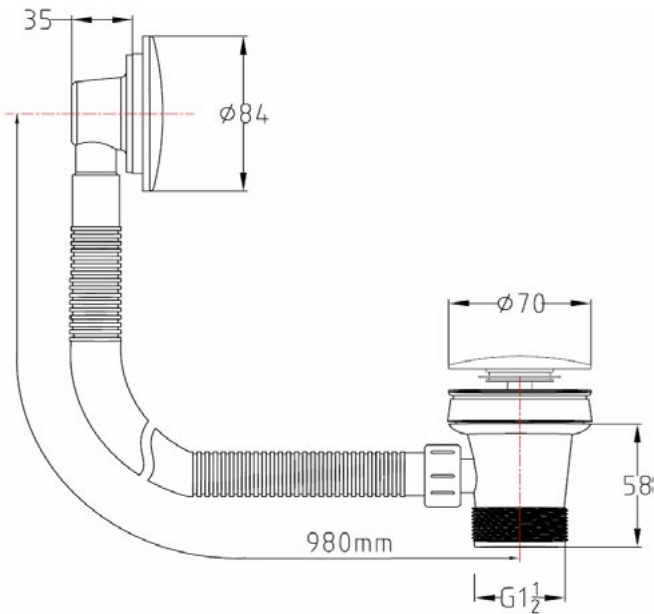




Construction	Zinc Alloy & ABS
Finishes	Chrome plated to BS EN 248
Product Type	Traditional
Plumbing Systems	Suitable for all plumbing systems
Fitting	G 1-1/2"
Guarantee	10 years against manufacturing faults (3 Years on Serviceable Parts).
 Additional Information	 Center to center length: 90cm



The information contained on this page was correct at date of issue. Fitting dimensions are provided as a guide only. Some variation may occur due to manufacturing tolerances. We pursue a policy of continuing improvement in design and performance of our products and so reserve the right to change specifications without prior notice.